

GAS KITS AND ACCESSORIES

508191-01
7/2021

LED KIT

INSTALLATION INSTRUCTIONS FOR LED KIT (22C99; 607764-01) USED WITH 30K-400KBtuh UNIT HEATERS

Shipping and Packing List

Package 1 of 1 contains:

- 1 - LED assembly
- 1 - Diagnostic label
- 1 - Plastic bushing

Application

IMPORTANT - This kit applies ONLY to units equipped with a 105802-02 / 21J99 or newer ignition control board. Verify the correct board part number or version before proceeding with installation.

The LED kit allows for visibility of both control board error codes and operational status external to the unit. For remote installation, a field-supplied outlet box is required. Internal dimensions of the outlet box must be a minimum of 2.75" wide and 1.75" deep. The cover must have a 7/8" hole for LED installation. Use two 18-gauge solid wires for lengths up to a maximum of 200 ft.

Installation - On Unit

30-105 Units

- 1 - Disconnect all power to unit.
- 2 - Select an unused knock-out on the power entry box to install the LED assembly. See figure 1.
- 3 - Remove the power entry box cover and open the service access door.
- 4 - Remove the retaining nut from the LED assembly. See figure 2.

WARNING



Electric Shock Hazard.
Can cause injury or death.
Disconnect all electrical power supplies before servicing. Access panels must be in place during appliance operation.

CAUTION

As with any mechanical equipment, personal injury can result from contact with sharp sheet metal edges. Be careful when you handle this equipment.

WARNING

Improper installation, adjustment, alteration, service or maintenance can cause property damage, personal injury or loss of life. Installation and service must be performed by a licensed professional installer (or equivalent), service agency or the gas supplier.

- 5 - Remove selected knock-out and insert the LED assembly from the outside of the power entry box through the mounting hole.
- 6 - Secure the LED assembly using the retaining nut.
- 7 - Select another unused knock-out to route the LED wires outside of the power entry box.
- 8 - Remove the knock-out and install the plastic bushing (supplied) in the mounting hole.
- 9 - Route the LED wires through the plastic bushing, outside of the power entry box.
- 10 - Route the LED wiring through the star bushing, into the unit and along the raceway to the ignition control board as shown in figure 1.

Note - Route low voltage and high voltage wires separately.

125-400 Units

- 1 - Disconnect all power to unit.
- 2 - Open the control box access door. See figure 3.
- 3 - Remove the clear sight glass from bottom of the control box.
- 4 - Remove retaining nut from LED assembly. See figure 2.
- 5 - Insert the LED assembly from the outside of the box through the mounting hole.
- 6 - Secure the LED assembly using the retaining nut.

Wiring

- 1 - Connect the P373 2-pin LED plug into the J373 2-pin header on the ignition control board.
- 2 - Bundle excess wires and secure with wire ties.
- 3 - Secure the power entry box cover and service access door (30-105 units) or control box access door (125-400 units). Make sure no wires are pinched.
- 4 - Restore electrical power.
- 5 - Install the diagnostic label in a convenient location.



30K THRU 105K BTUH MODELS

A3, CONTROL BURNER - CONNECTIONS

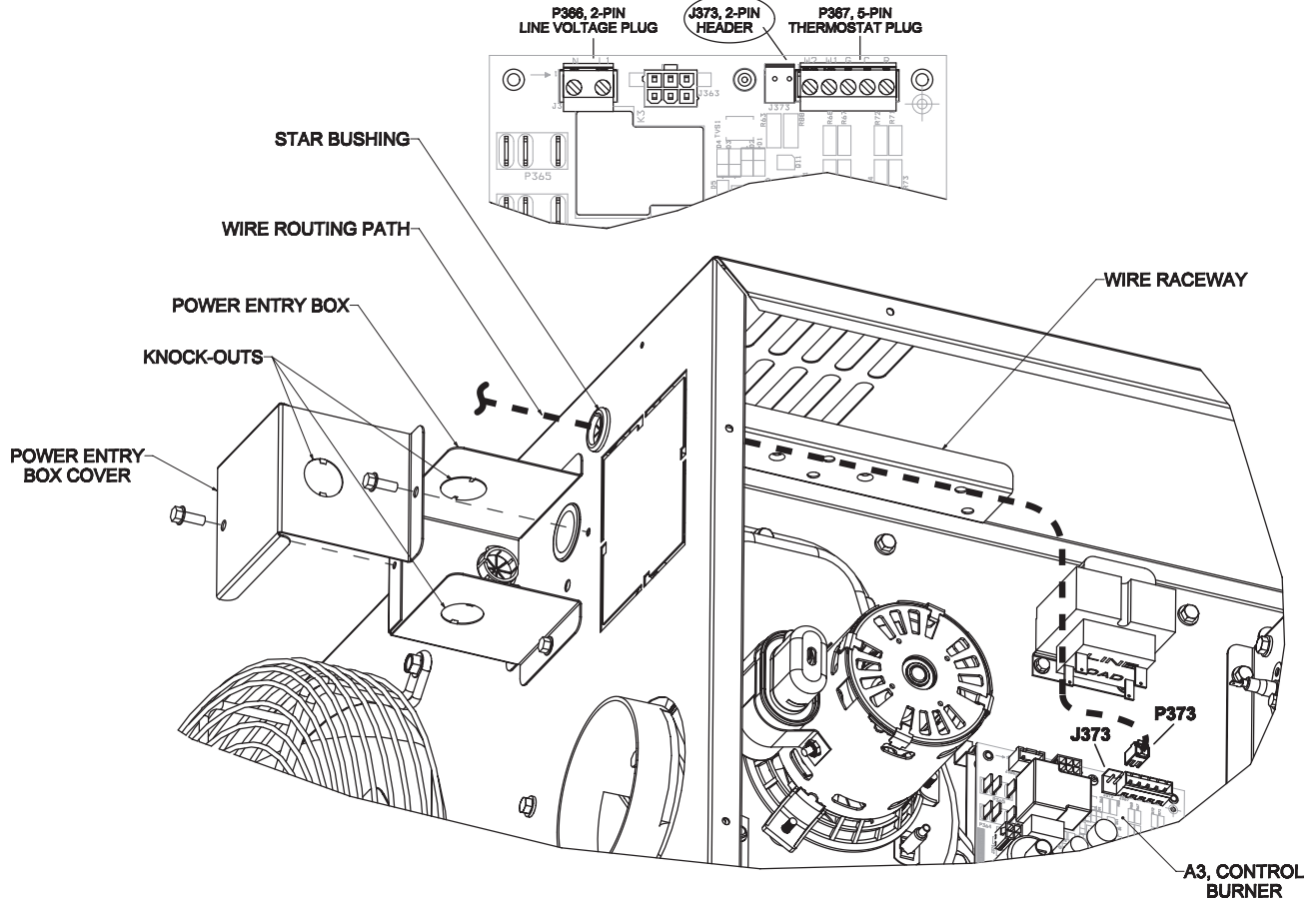


FIGURE 1

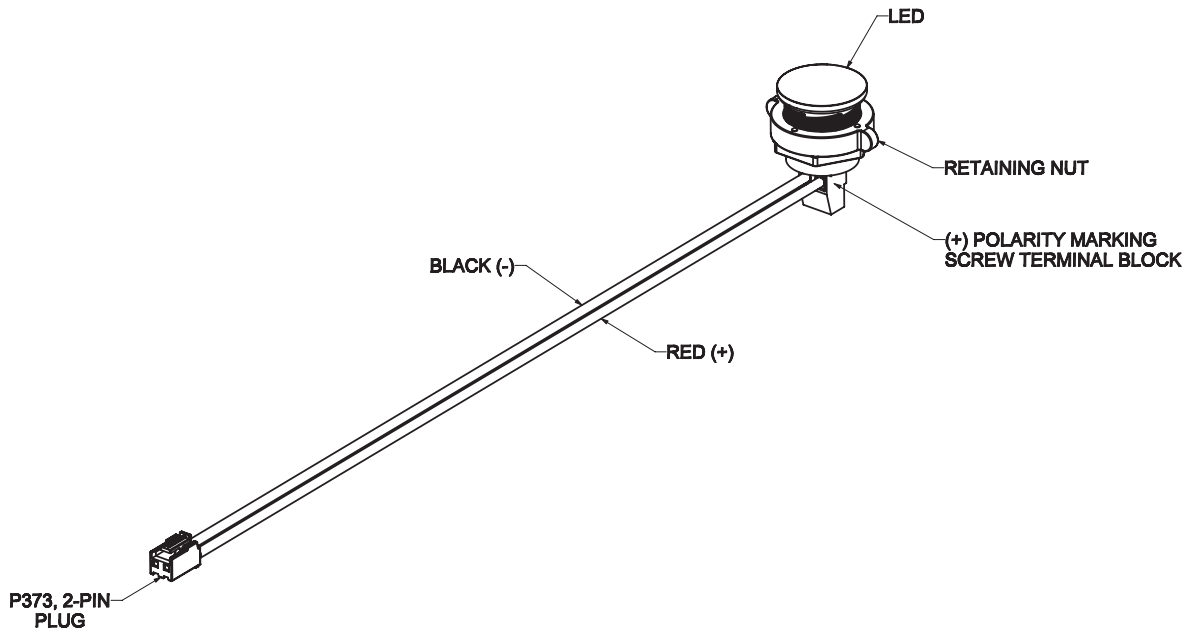


FIGURE 2

125K THRU 400K BTUH MODELS

A3 CONTROL BURNER - CONNECTIONS

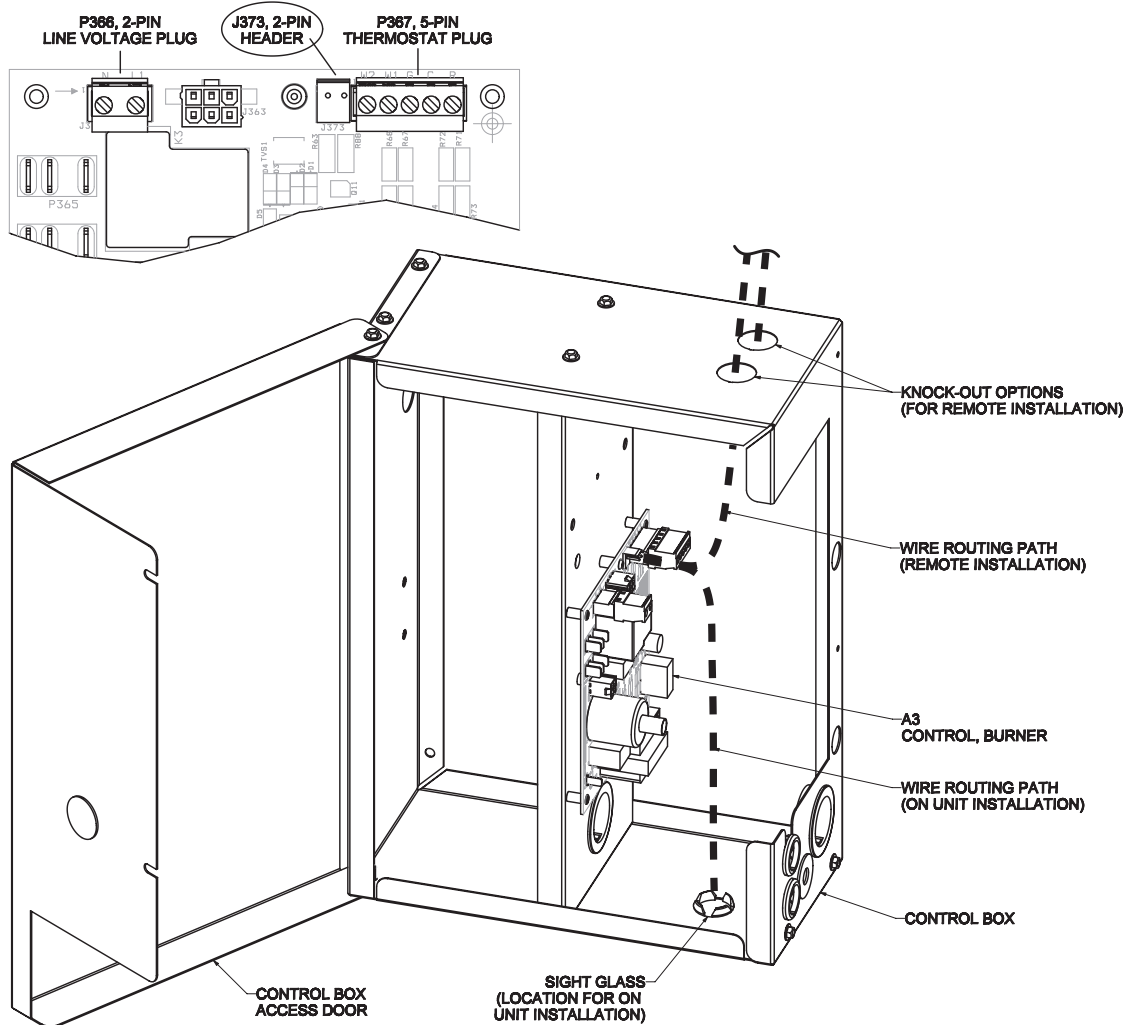


FIGURE 3

Installation - Remote

- 1 - Disconnect all power to unit.
 - 2 - Open the service access door (30-105 units) or control box access door (125-400 units). See figure 1 for 30-105 units and figure 3 for 125-400 units.
 - 3 - Connect the P373 2-pin LED plug into the J373 2-pin header on the ignition control board.
 - 4 - Disconnect wires from the LED screw terminal block. See figure 2.
 - 5 - *30-105 Only* - Route the LED wiring out of the unit, along the wire raceway and through the star bushing. See figure 1.
 - 6 - *125-400 Only* - Select one of the knock-outs on the top of the control box for the LED wire routing. Remove selected knock-out and install the plastic bushing. Route LED wires through the plastic bushing.
 - 7 - Connect field-supplied wires to the wires that were disconnected from the LED screw terminal block. Secure with field-supplied wire nuts or splices. See figure 4.
 - 8 - Secure the service access door (30-105 units) or control box access door (125-400 units), make sure no wires are pinched.
 - 9 - Route the other end of the field-supplied wires to the outlet box remote-mounting location.
 - 10 - Remove retaining nut from the LED.
 - 11 - Install the LED onto the outlet box cover plate and secure with retaining nut.
 - 12 - Connect loose end of the field-supplied wires to the LED screw terminal block.
- Note - LED is polarity sensitive so connection polarity must be followed closely. See figure 4.*

- 13 - Secure the cover to the outlet box.
- 14 - Install the diagnostic label near LED assembly.
- 15 - Restore electrical power.

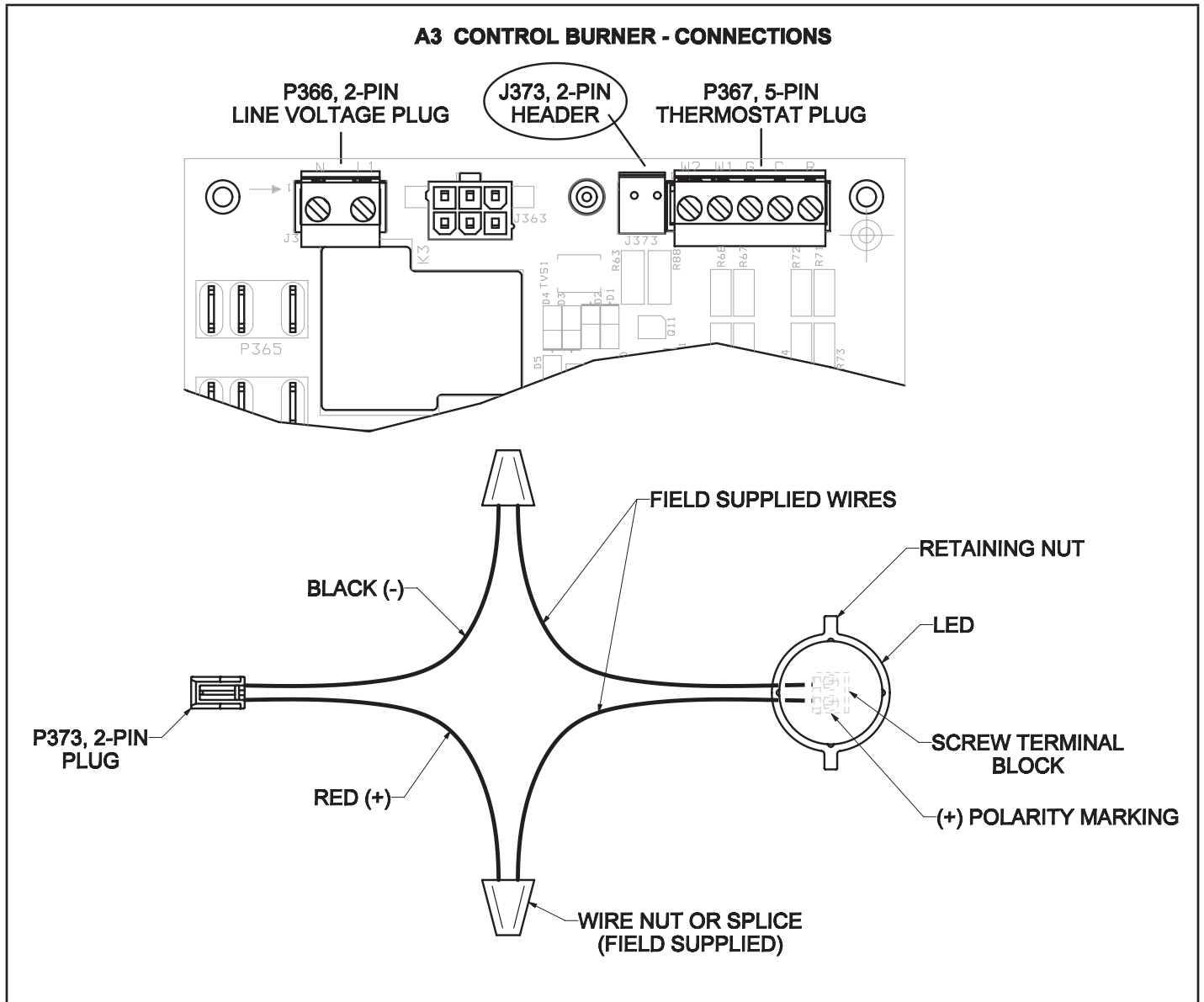


FIGURE 4