

BLOWER PROVING SWITCH KIT

INSTALLATION INSTRUCTIONS FOR BLOWER PROVING SWITCH KIT USED ON PACKAGED LG/LC/LH/LD/SG/SC 024-360 UNITS

Shipping and Packing List

Package 1 or 1 contains (21Z10 & 31A60):

- 1 - Air flow switch (S52)
- 2 - Screws
- 1 - Air flow tubing
- 2 - Screws

Package 1 of 1 contains (31A59):

- 1 - Air flow switch (S52)
- 1 - Air flow fitting

Application

See table 1 for kit application.

The normally open S52 air flow (blower proving) switch will close with an increase in static pressure when the blower is started.

Units which contain a Unit Controller will keep the heating and cooling functions locked out and also show an alarm in the system if the blower is not sensed. S52 is found on the "C" or control wiring diagram section in the unit.

TABLE 1

Unit	Kit
LG/LC/LH/LD 024-300	21Z10; 603364-36
SGH/SCH 036, 060, 240	31A59; 603364-40
LG/LC/LH/LD 302, 360	
SGH/SCH 120	31A60; 603364-41

CAUTION

As with any mechanical equipment, contact with sharp sheet metal edges can result in personal injury. Take care while handling this equipment and wear gloves and protective clothing.

Unit Controller Settings

The blower proving switch is controlled by the Unit Controller. Use the following appropriate menu to enable blower proving switch function.

M2 Unit Controller:

Go to **Settings > Install > Blower Proving Sw**

M3 Unit Controller:

Go to **Setup > Install** and navigate through the various setup questions until Configuration ID 2 appears. Position one needs to be set to either C for installed on M3 Unit

Controller or D for installed on DDC controller.

M4 Unit Controller:

Use the mobile app and go to **RTU MENU > SETUP INSTALL** and navigate through the various setup questions until **Configuration ID 2** appears. Position one needs to be set to either C for installed on M4 Unit Controller or D for installed on DDC controller.

WARNING

Improper installation, adjustment, alteration, service or maintenance can cause property damage, personal injury or loss of life. Installation and service must be performed by a licensed professional HVAC installer or equivalent, service agency, or the gas supplier

Installation

- 1 - Open blower access doors and disconnect all electrical power to unit.
- 2 - Cut air flow tubing to 2" for LG/LC/LH/LD 024-072, 156-300 and SCH 120 units. Use length provided for LG/LC/LD/LH 092-150 units. Air flow tube is not required for SGH/SCH 036, 060 & 240.
- 3 - Assemble air flow switch, tubing, and fitting as shown in figure 1.
- 4 - Air flow switch is directly assembled onto the blower hole for SGH/SCH 036, 060 & 240.
- 5 - Install switch assembly as shown in table 1. Snap the air flow fitting into the keyed hole. Secure the switch with two screws.

TABLE 2

Unit	Figure
LGH/LCH/LGX/LCX/LHX/LDX 024-150	2
LGM/LCM036-074	3
LGM/LCM/LGT/LCT/LHT/LDT092-152	4
LG/LC 156-300, SG/SC 120	5
LGT/LHT/LCT/LDT 036-072	6
SG/SC 036-060	7
LG/LC/LH/LD 302, 360, SG/SC 240	8



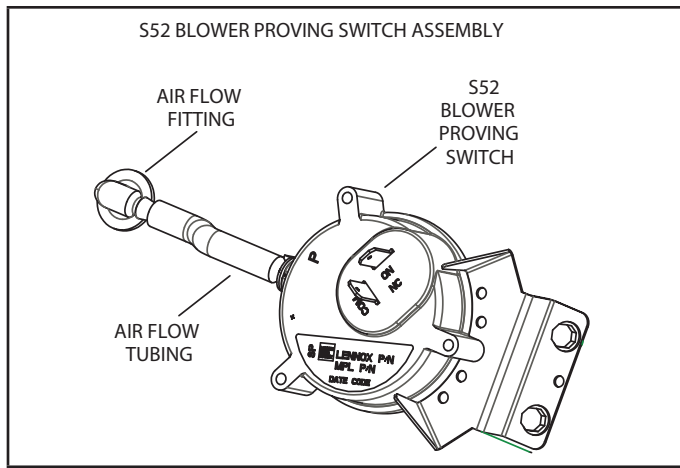


FIGURE 1

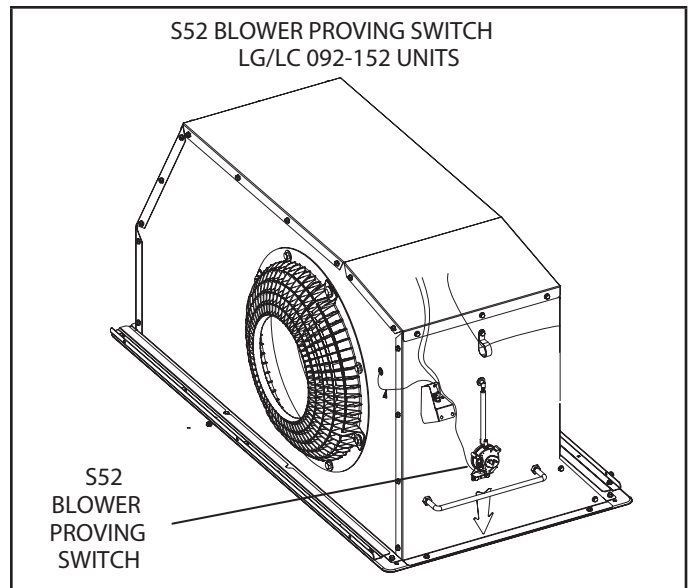


FIGURE 4

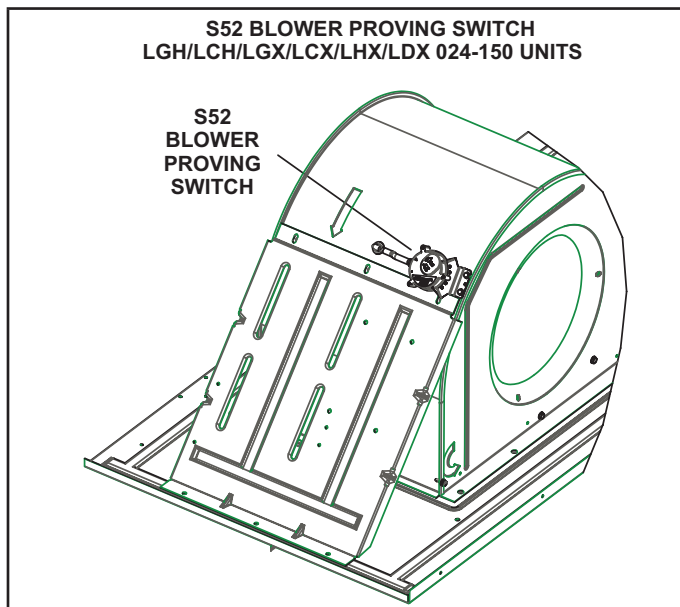


FIGURE 2

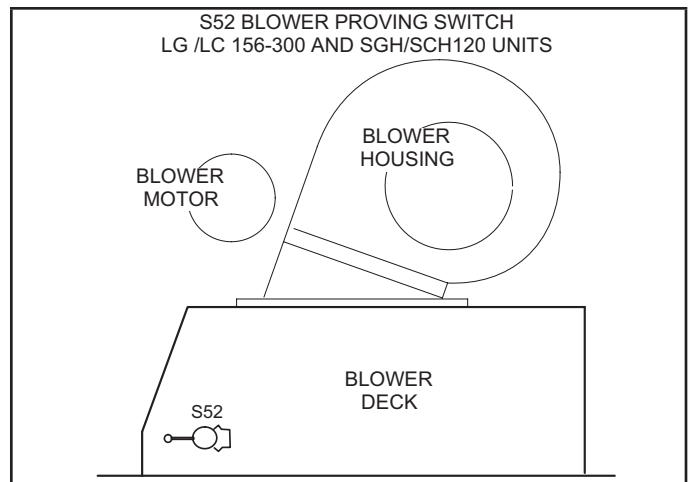


FIGURE 5

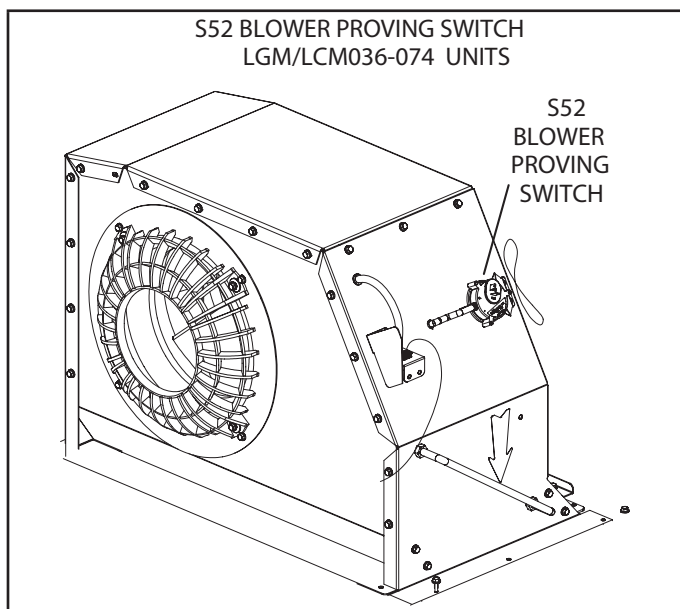


FIGURE 3

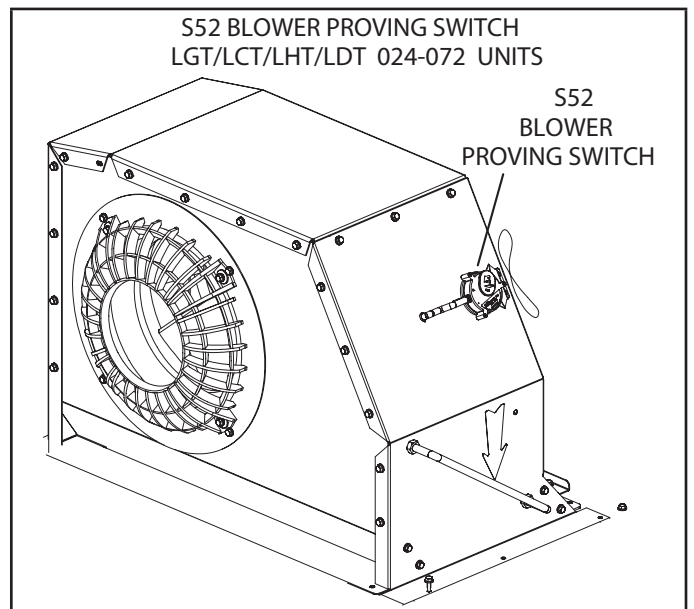


FIGURE 6

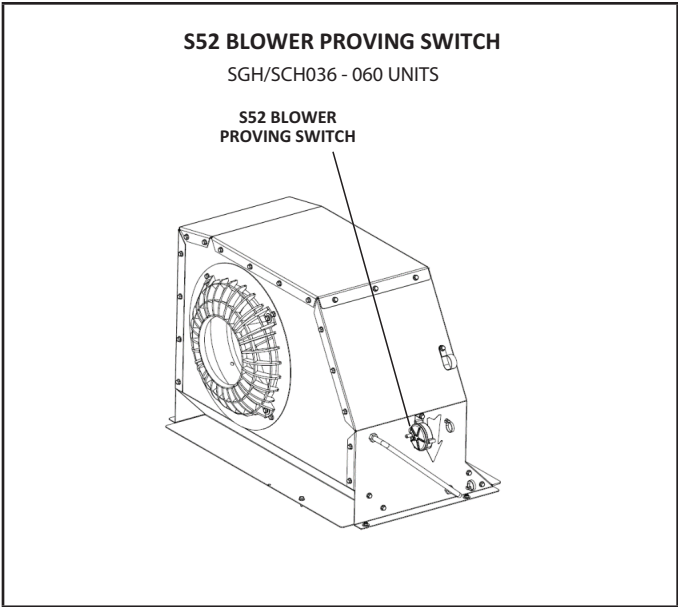


FIGURE 7

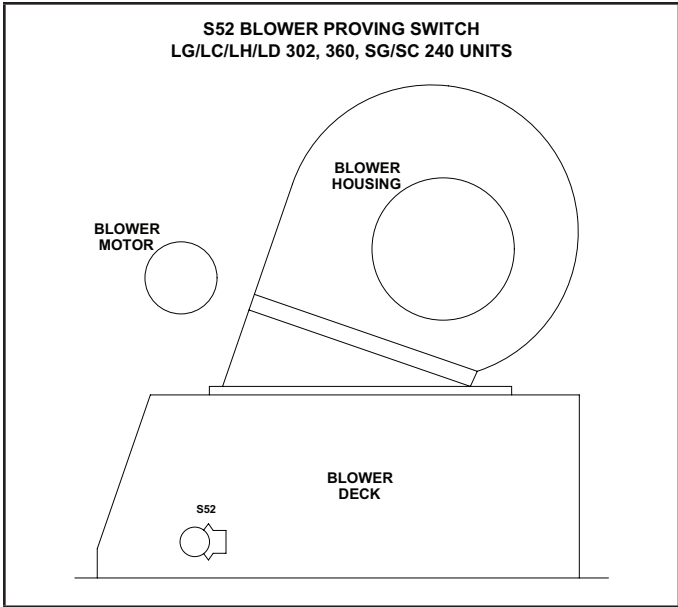


FIGURE 8

Wiring

Locate the wires hanging near the blower proving switch labeled "S52". Connect wires to the blower proving switch terminals. See figure 9 for LG/LC/LH/LD 024-150 units, figure 10 for LG/LC 156-300S units, figure 11 for SGH/SCH 036 – 060(S) units and figure 12 for SGH/SCH 120 unit.

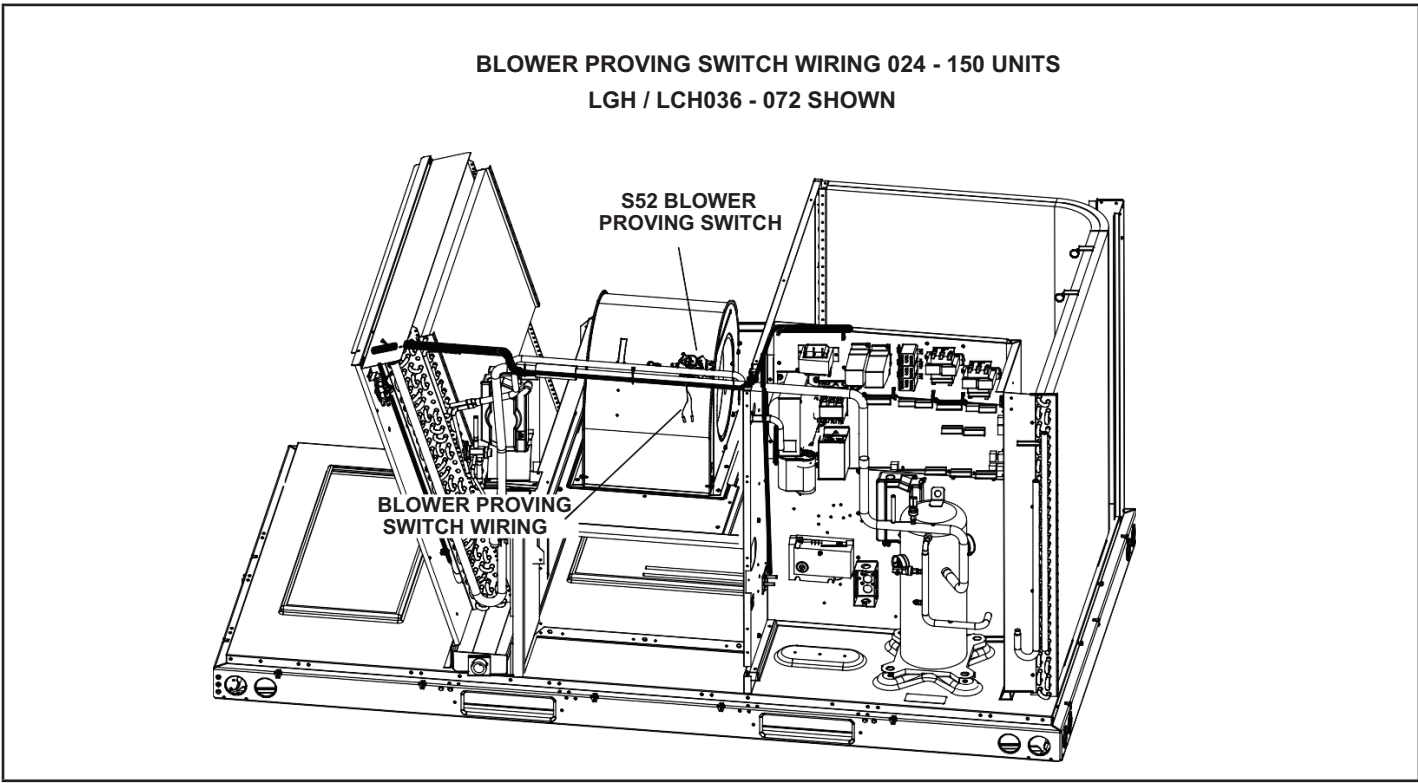


FIGURE 9

**BLOWER PROVING SWITCH WIRING
L SERIES 156 - 300 UNITS**

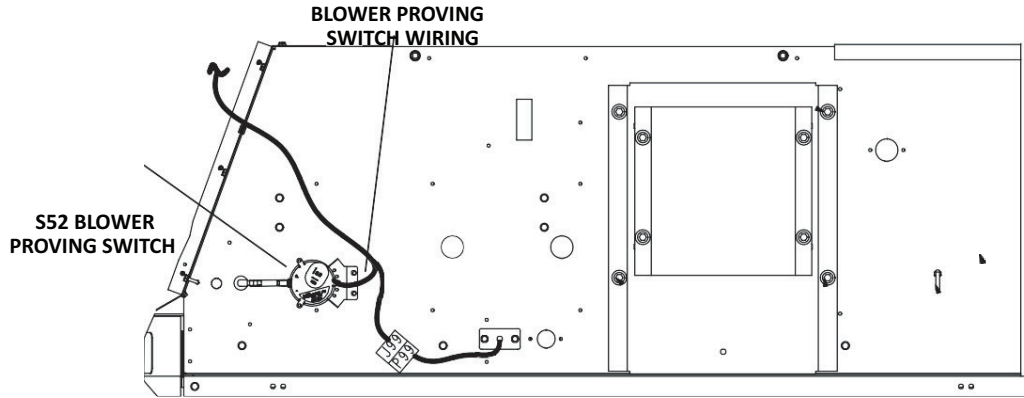


FIGURE 10

**BLOWER PROVING SWITCH WIRING 036 - 060 UNITS
(SGH/SCH 036 - 060 UNIT SHOWN BELOW)**

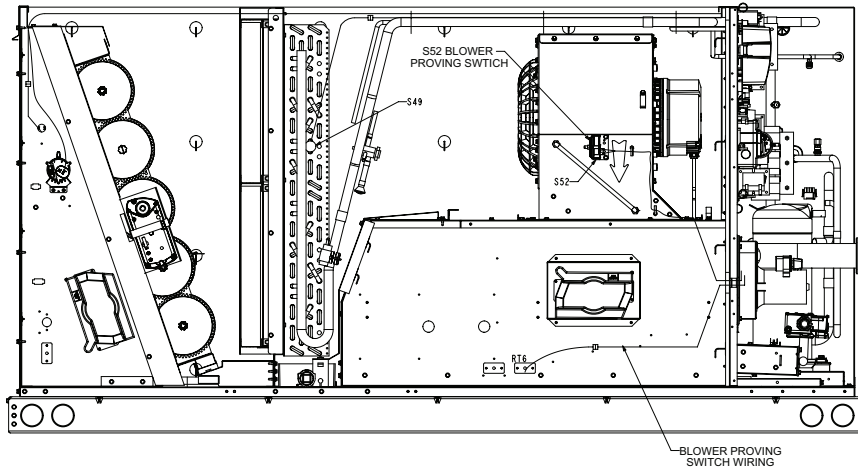


FIGURE 11

**BLOWER PROVING SWITCH WIRING 120 UNIT
(SGH / SCH120 UNIT SHOWN)**

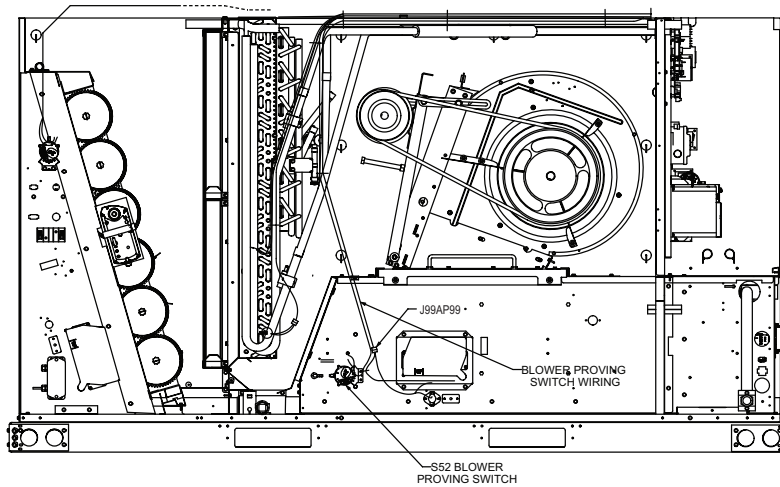


FIGURE 12