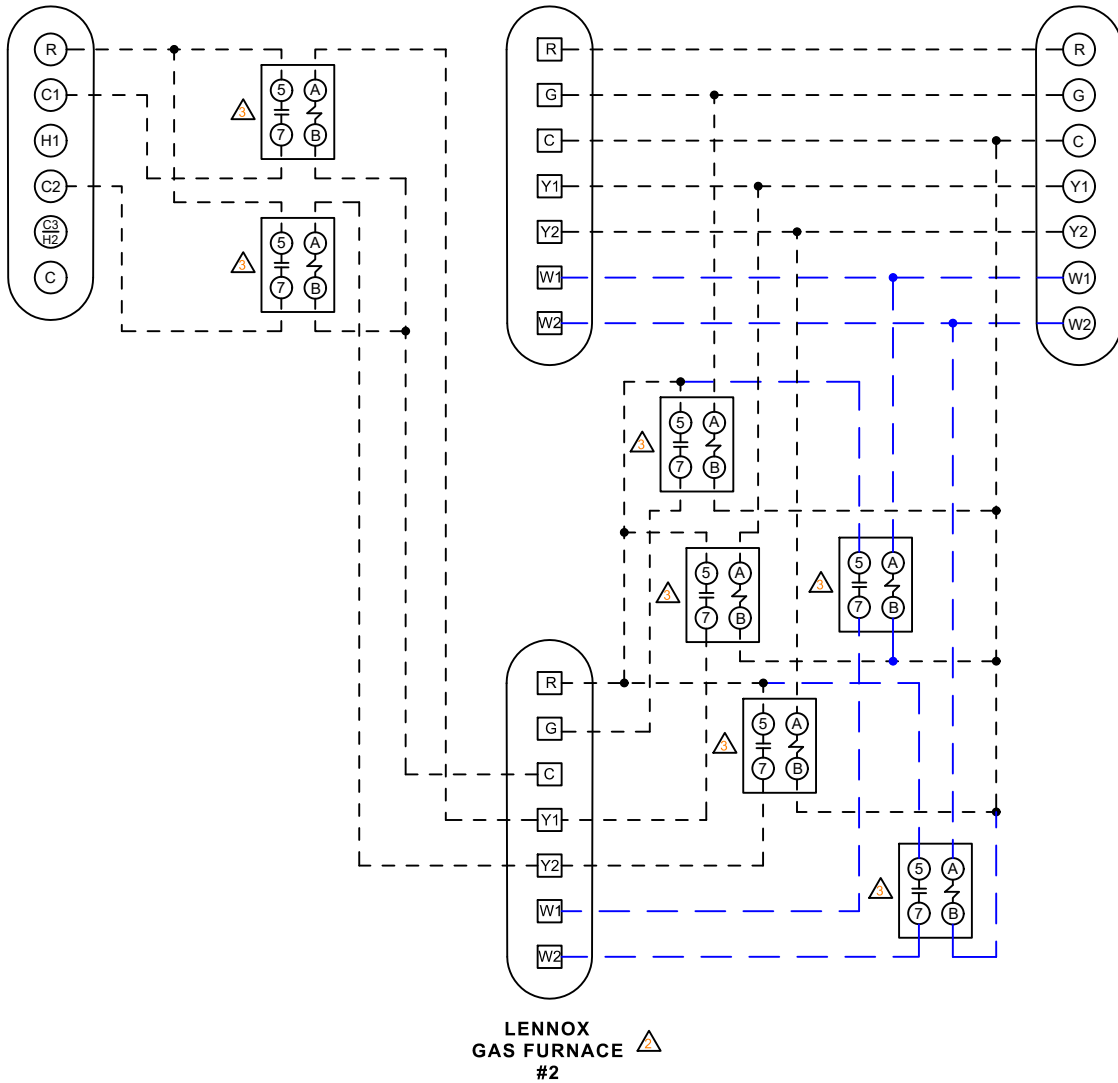


OUTDOOR AIR CONDITIONER
(TB14) ⚠


LENNOX GAS FURNACE #1 ⚠

THERMOSTAT (A2) ⚠



- ⚠ 1 TB14 - TERMINAL STRIP-CLASS II VOLTAGE (FACTORY INSTALLED)
- ⚠ 2 SEE ELITE SPLITS ENGINEERING HANDBOOK FOR APPLICABLE GAS FURNACE MODELS
- ⚠ 3 56L68 - RELAY, SPDT, 24V COIL (FIELD PROVIDED)
- ⚠ 4 REPLACE FACTORY 24 VAC TRANSFORMER WITH FIELD PROVIDED 24 VAC / 70 VA MIN. TRANSFORMER
- ⚠ 5 A2 - THERMOSTAT (FIELD PROVIDED)

----- CLASS II FIELD WIRING
 ----- CLASS II FIELD WIRING (NOT USED BY AHR)

2023/01	 WIRING DIAGRAM 538326-01	01/23
		SPLIT SYSTEMS - RESI. FURNACE
LABEL-WIRING DIAGRAM FIELD CONNECTION AC (2 COOL W/ RESI. FURNACE)		
SECTION C		REV. 0
Supersedes	New Form No. 538326-01	