

**OUTDOOR COIL  
REPLACEMENT KIT**

**INSTALLATION INSTRUCTIONS FOR OUTDOOR COIL REPLACEMENT KIT (15S61; 616712-01)  
USED ON LGH/LCH/KG/KC PACKAGED ROOFTOP UNITS**

**Shipping and Packing List**

Package 1 of 1 contains:

- 4- Coil protectors

*Note - Four replacement coils are packaged separately from this kit.*

**Application**

This kit is used on LGH/LCH/KG/KC 156H and KG/KC 210S units equipped with three refrigerant circuits. Both coils will be replaced with a two-piece, upper and lower coil.

**⚠ WARNING**

Improper installation, adjustment, alteration, service or maintenance can cause property damage, personal injury or loss of life. Installation and service must be performed by a licensed professional HVAC installer or equivalent, service agency, or the gas supplier

**⚠ CAUTION**

As with any mechanical equipment, contact with sharp sheet metal edges can result in personal injury. Take care while handling this equipment and wear gloves and protective clothing.

**Remove Existing Coils**

- 1- Vertical/Outer Coil -  
Remove and retain the four bolts that fasten the condenser coil to the front and rear condenser access panels. See figure 1.
- 2- Remove and retain the front condenser access panel and plumbing cover. See figure 2.
- 3- Use an approved method to remove refrigerant from all three stages.

**⚠ IMPORTANT**

The Clean Air Act of 1990 bans the intentional venting of refrigerant (CFC's and HCFC's) as of July 1, 1992. Approved methods of recovery, recycling or reclaiming must be followed. Fines and/or incarceration may be levied for non-compliance.

- 4- Unbraid copper piping to all three refrigerant circuits.

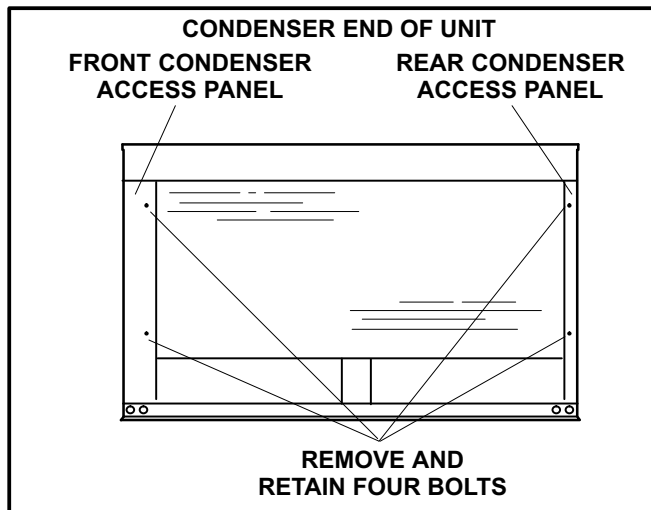
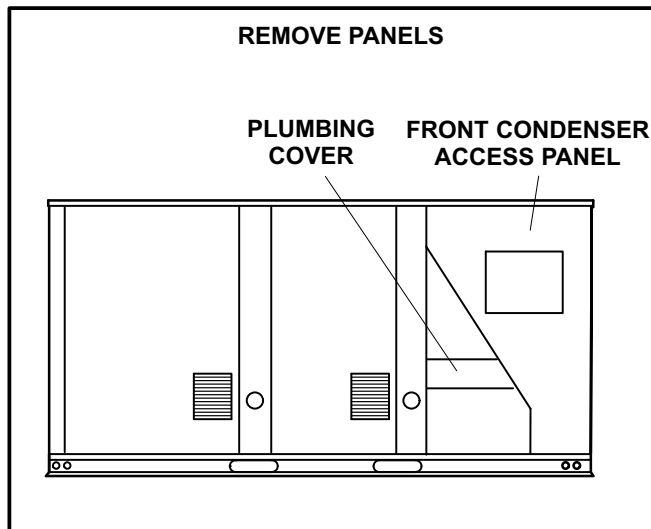


FIGURE 1



- 5- Diagonal/Inner Coil -  
Remove and retain the hardware securing the coil manifold bracket to the diagonal supports. The hardware will be used to install the replacement coil. See figure 3.
- 6- Slide coils out of unit taking care not to damage existing plumbing.

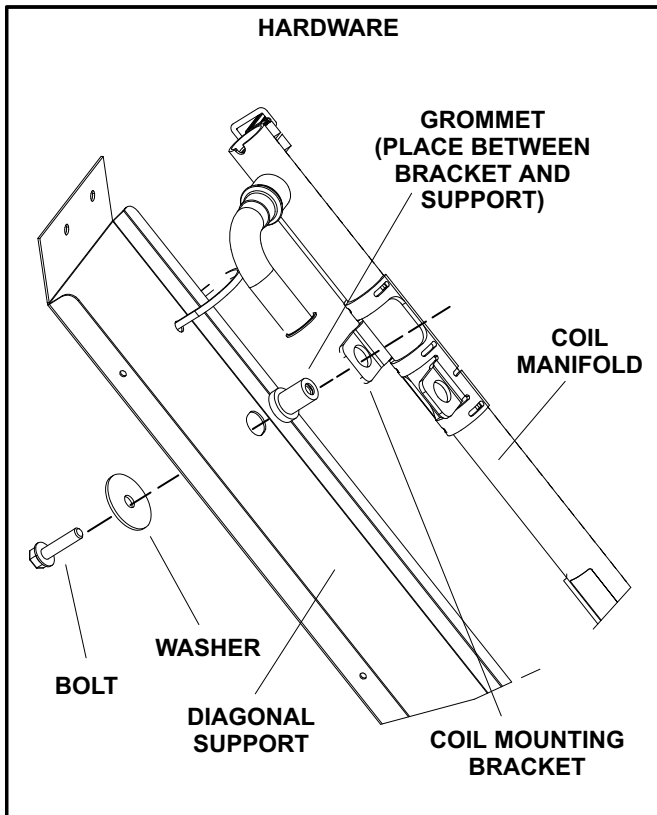


FIGURE 3

- 7- Remove and retain four black plastic coil protectors from the existing coil.
- 8- Install the four coil protectors from the existing unit onto the top and bottom of two of the replacement coils.
- 9- Install the four coil protectors from the kit onto the top and bottom of the other two replacement coils.

*Note - A total of eight coil protectors will be applied to the top and bottom of the four replacement coils.*

## Install Replacement Coils

- 1- Slide replacement coils into unit; insert lower coils first. See figure 4.
- 2- Use the retained hardware to secure the diagonal/inner coils (front and back) to the diagonal supports. Use the hardware configuration shown in figure 3.

*Note - Use only the top coil manifold mounting bracket to secure the upper replacement coil.*

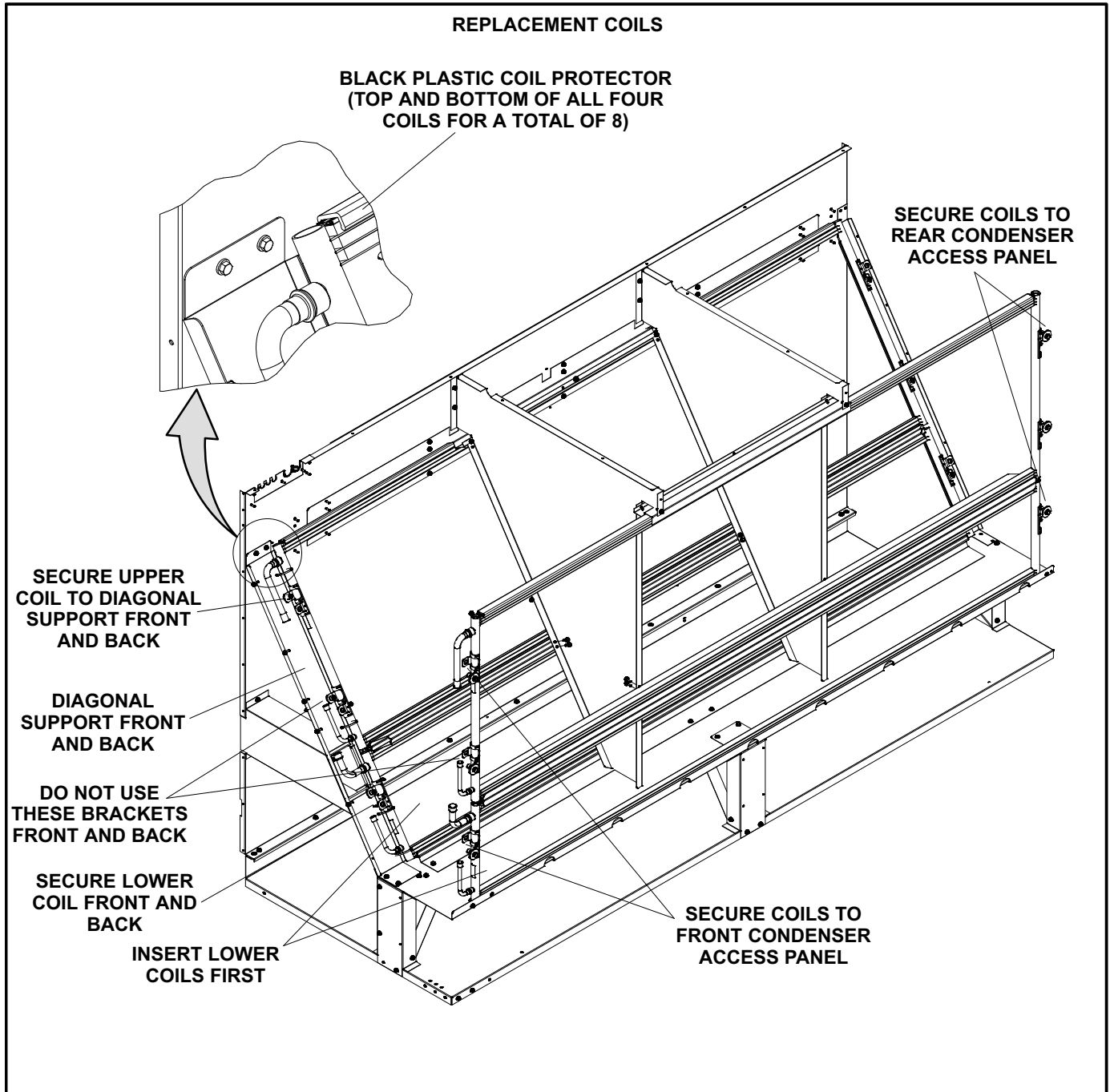
- 3- Braze plumbing in the same manner it was removed. Leak check all three systems.

- 4- Use an approved method to charge all three circuits with reclaimed refrigerant or amount of refrigerant listed on nameplate.

- 5- Replace plumbing cover.

- 6- Replace the condenser access panel. Use retained hardware to secure the vertical/outer coil to the condenser access panels. Use the hardware configuration shown in figure 3.

*Note - Use only the top coil manifold mounting bracket to secure the upper replacement coil.*



**FIGURE 4**