



538333-01

AA

BB

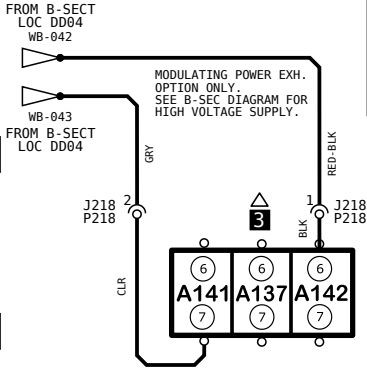
CC

DD

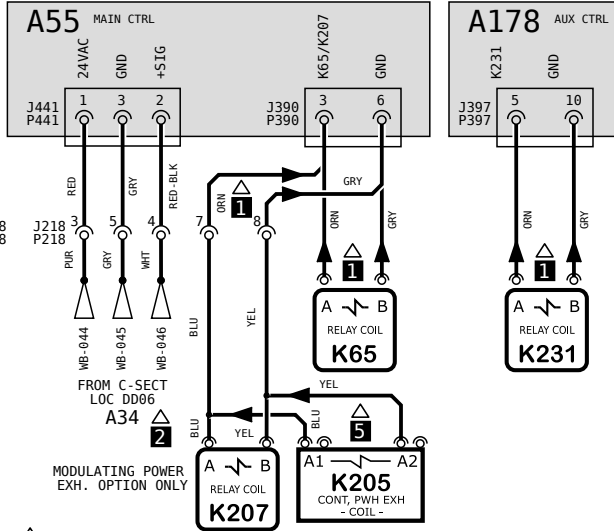
EE

-----POWER EXHAUST FAN OPTION-----

01

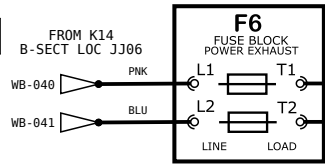


02

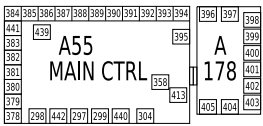


03

04



05



06

← DENOTES OPTIONAL COMPONENTS AND WIRING

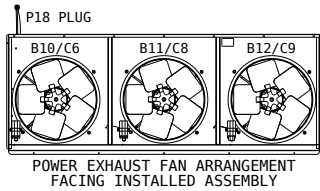
07

NOTES	
1	STANDARD POWER EXHAUST(K65 & K231) AND VFD POWER EXHAUST (K205 & K207) ARE MUTUALLY EXCLUSIVE OPTIONS
2	CONNECT A34 TO J441, ONLY WHEN VFD POWER EXHAUST IS USED
3	A34 SENSOR AND A137, A141, A142 INVERTER CONTROL FOR B35, B36, B37 EXHAUST BLOWER. REFER TO RRS ASSEMBLY WIRING DIAGRAMS IN INSTALLATION INSTRUCTIONS TO FIND B35, B36 & B37 HOOK UP
4	STANDARD POWER EXHAUST CONNECTIONS
5	K205 IS ONLY USED ON UNITS WITH POWER EXHAUST VFD BYPASS

08

KEY LIST	
LOCATION	COMPONENT DESCRIPTION
AA03	A137 INVERTER, EXHAUST 1
AA03	A141 INVERTER, EXHAUST 2
BB03	A142 INVERTER, EXHAUST 3
CC08	B10 MOTOR, EXHAUST FAN 1
CC08	B11 MOTOR, EXHAUST FAN 2
DD08	B12 MOTOR, EXHAUST FAN 3
CC07	C6 CAPACITOR, EXHAUST FAN 1
CC07	C8 CAPACITOR, EXHAUST FAN 2
DD07	C9 CAPACITOR, EXHAUST FAN 3
AA04	F6 FUSE, EXHAUST FAN
DD03	K65 RELAY, EXHAUST FAN 1, 2
DD03	K205 CONTACTOR, POWER EXHAUST
DD03	K207 RELAY EXHAUST BLOWER
EE03	K231 RELAY, EXHAUST FAN 3

09



POWER EXHAUST FAN ARRANGEMENT FACING INSTALLED ASSEMBLY

WARNING
 DISCONNECT ALL POWER BEFORE SERVICING.
 ELECTRIC SHOCK HAZARD, CAN CAUSE INJURY OR DEATH. UNIT MUST BE GROUNDED IN ACCORDANCE WITH NATIONAL AND LOCAL CODES.
 FOR USE WITH COPPER CONDUCTORS ONLY. REFER TO UNIT RATING PLATE FOR MINIMUM CIRCUIT AMPACITY AND MAXIMUM OVERCURRENT PROTECTION SIZE.
 IF ANY WIRE IN THIS APPLIANCE IS REPLACED, IT MUST BE REPLACED WITH WIRE OF LIKE SIZE, RATING AND INSULATION THICKNESS.

10

Model: LC, LG, LH, LD Series RTU
 D-Box Standard/Modulating Power Exhaust
 Voltage: All Voltages
 Supersedes: N/A Form No: 538333-01 Rev: 0

HTG	CLG	CLG	ACCS	ACCS
SEC A	SEC B	SEC B5	SEC C	SEC D

WIRING DIAGRAM FLOW

6x10

CUT SIZE

REV	EC NO.	DATE	BY	APVD	REVISION NOTE
---	CN-012295C	04-02-2024	RV	MXT5	ORIGINATED AT PD&R CARROLLTON, TX

© 2019

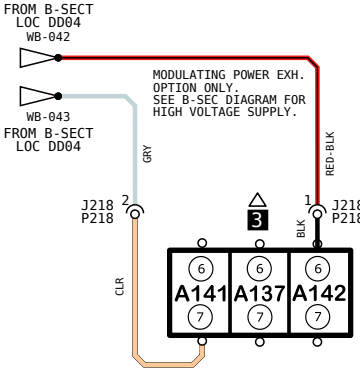


538333-01

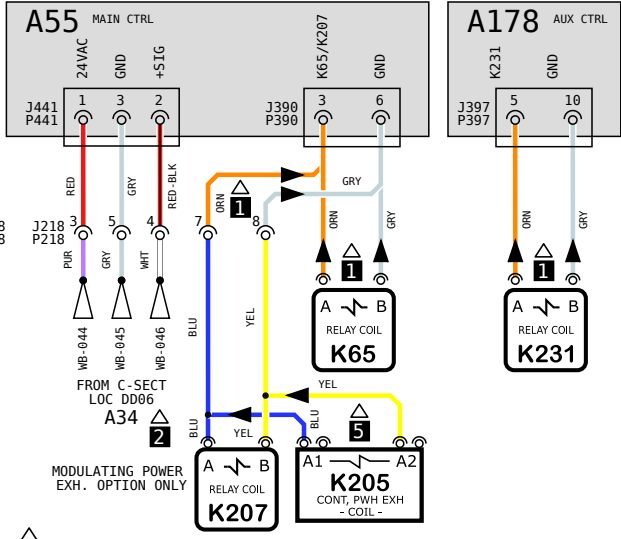
AA BB CC DD EE

---POWER EXHAUST FAN OPTION---

01

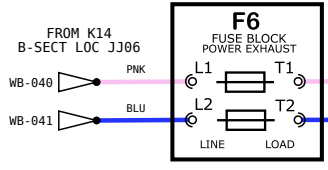


02

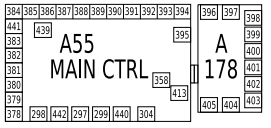


03

04



05



06

← DENOTES OPTIONAL COMPONENTS AND WIRING

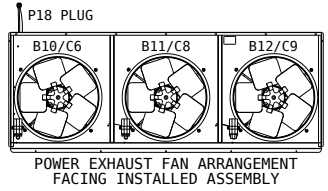
07

NOTES	
1	STANDARD POWER EXHAUST(K65 & K231) AND VFD POWER EXHAUST (K205 & K207) ARE MUTUALLY EXCLUSIVE OPTIONS
2	CONNECT A34 TO J441, ONLY WHEN VFD POWER EXHAUST IS USED
3	A34 SENSOR AND A137, A141, A142 INVERTER CONTROL FOR B35, B36, B37 EXHAUST BLOWER. REFER TO RRS ASSEMBLY WIRING DIAGRAMS IN INSTALLATION INSTRUCTIONS TO FIND B35, B36 & B37 HOOK UP
4	STANDARD POWER EXHAUST CONNECTIONS
5	K205 IS ONLY USED ON UNITS WITH POWER EXHAUST VFD BYPASS

08

KEY LIST	
LOCATION	COMPONENT DESCRIPTION
AA03	A137 INVERTER, EXHAUST 1
AA03	A141 INVERTER, EXHAUST 2
BB03	A142 INVERTER, EXHAUST 3
CC08	B10 MOTOR, EXHAUST FAN 1
CC08	B11 MOTOR, EXHAUST FAN 2
DD08	B12 MOTOR, EXHAUST FAN 3
CC07	C6 CAPACITOR, EXHAUST FAN 1
CC07	C8 CAPACITOR, EXHAUST FAN 2
DD07	C9 CAPACITOR, EXHAUST FAN 3
AA04	F6 FUSE, EXHAUST FAN
DD03	K65 RELAY, EXHAUST FAN 1, 2
DD03	K205 CONTACTOR, POWER EXHAUST
DD03	K207 RELAY EXHAUST BLOWER
EE03	K231 RELAY, EXHAUST FAN 3

09



POWER EXHAUST FAN ARRANGEMENT FACING INSTALLED ASSEMBLY

WARNING
DISCONNECT ALL POWER BEFORE SERVICING.
ELECTRIC SHOCK HAZARD, CAN CAUSE INJURY OR DEATH. UNIT MUST BE GROUNDED IN ACCORDANCE WITH NATIONAL AND LOCAL CODES.
FOR USE WITH COPPER CONDUCTORS ONLY. REFER TO UNIT RATING PLATE FOR MINIMUM CIRCUIT AMPACITY AND MAXIMUM OVERCURRENT PROTECTION SIZE.
IF ANY WIRE IN THIS APPLIANCE IS REPLACED, IT MUST BE REPLACED WITH WIRE OF LIKE SIZE, RATING AND INSULATION THICKNESS.

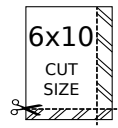
10

Model: LC, LG, LH, LD Series RTU
D-Box Standard/Modulating Power Exhaust
Voltage: All Voltages
Supersedes: N/A Form No: 538333-01 Rev: 0

© 2019

HTG	CLG	CLG	ACCS	ACCS
SEC A	SEC B	SEC B5	SEC C	SEC D

WIRING DIAGRAM FLOW



REV	EC NO.	DATE	BY	APVD	REVISION NOTE
---	CN-012295C	04-02-2024	RV	MXT5	ORIGINATED AT PD&R CARROLLTON, TX