

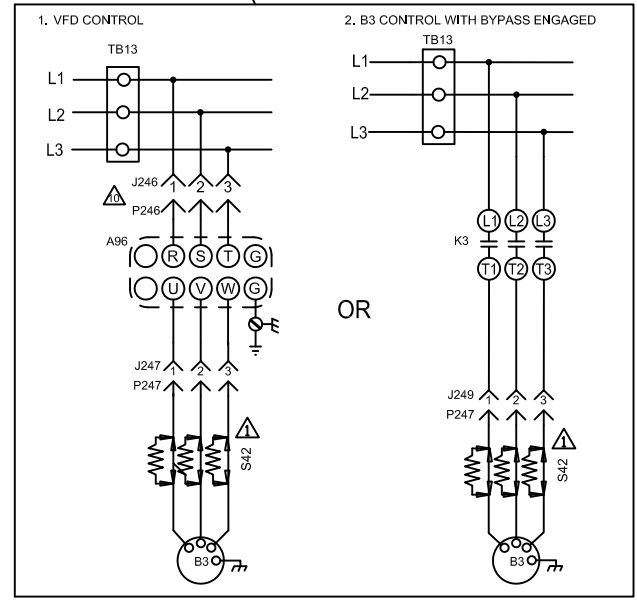
KEY	COMPONENT
A30	SENSOR, DISCH.
A34	DUCT STATIC PRESS
A55	PANEL, MAIN
A96	CONTROL INVERTER
A137	CONTROL, INVERTER, RETURN
A141	INVERTER, EXHAUST 2
A142	INVERTER, EXHAUST 3
A178	PANEL, COMP 3 & 4, C3 SECOND STAGE HEAT
A187	CONTROL, GENERAL PURPOSE GP3
B1	COMPRESSOR 1
B2	COMPRESSOR 2
B3	MOTOR, BLOWER
B4	MOTOR, OUTDOOR FAN 1
B5	MOTOR, OUTDOOR FAN 2
B10	MOTOR, EXHAUST FAN 1
B11	MOTOR, EXHAUST FAN 2
B12	MOTOR, EXHAUST FAN 3
B13	COMPRESSOR 3
B20	COMPRESSOR 4
B21	MOTOR, OUTDOOR FAN 3
B22	MOTOR, OUTDOOR FAN 4
B23	MOTOR, OUTDOOR FAN 5
B24	MOTOR, OUTDOOR FAN 6
B35	MOTOR, EXH. BLO 1
B36	MOTOR, EXH. BLO 2
B37	MOTOR, EXH. BLO 3
C1	CAPACITOR, OUTDOOR FAN 1
C2	CAPACITOR, OUTDOOR FAN 2
C6	CAPACITOR, EXHAUST FAN 1
C8	CAPACITOR, EXHAUST FAN 2
C9	CAPACITOR, EXHAUST FAN 3
C18	CAPACITOR, OUTDOOR FAN 3
C19	CAPACITOR, OUTDOOR FAN 4
C20	CAPACITOR, OUTDOOR FAN 5
C21	CAPACITOR, OUTDOOR FAN 6
CB8	CIRCUIT, BREAKER T1
CB18	CIRCUIT, BREAKER T18
F6	FUSE, EXHAUST FAN
F10	FUSE, OUTDOOR FAN MOTOR
F30	FUSE, TRANSFORMER T29 PRIMARY
F31	FUSE, TRANSFORMER T29 SECONDARY
F36	FUSE, P.E. BLOWERS
F61	FUSE, UNIT
HR1	HEATER COMPRESSOR 1
HR2	HEATER COMPRESSOR 2
HR5	HEATER COMPRESSOR 3
HR11	HEATER COMPRESSOR 4
K1	CONTACTOR, COMPRESSOR 1
K2	CONTACTOR, COMPRESSOR 2
K3	CONTACTOR, BLOWER
K10	RELAY, OUTDOOR FAN 1
K14	CONTACTOR, COMPRESSOR 3
K152	RELAY, EXHAUST FAN
K153	RELAY, OUTDOOR FAN 4
K154	RELAY, OUTDOOR FAN 5
K155	RELAY, OUTDOOR FAN 6
K203	RELAY INVERTER CONTROL
K205	CONTACTOR, POWER EXHAUST
K207	RELAY, EXHAUST BLOWER
K231	SENSOR, OUTDOOR AIR
R55	RESISTOR, VFD LOADING, A96
RT17	RELAY, EXHAUST FAN 2
S4	SWITCH, LIMIT HI PRESS COMPRESS 1
S5	SWITCH, LIMIT HI TEMP COMPRESSOR 1
S7	SWITCH, LIMIT HI PRESS COMPRESS 2
S8	SWITCH, LIMIT HI TEMP COMPRESSOR 2
S11	SWITCH, LOW PRESS, LOW AMBIENT COMP 1
S28	SWITCH, LIMIT HI PRESS COMPRESS 3
S31	SWITCH, LIMIT HI TEMP COMPRESSOR 3
S37	SWITCH, PRESS, EXH
S39	SWITCH, EXHAUST FAN
S42	SWITCH, OVERLOAD RELAY BLOWER MOTOR
S48	SWITCH, DISCONNECT
S49	SWITCH, FREEZE STAT COMPRESS 1
S50	SWITCH, FREEZE STAT COMPRESS 2
S53	SWITCH, FREEZE STAT COMPRESS 3
S84	SWITCH, LOW PRESS, LOW AMBIENT COMP 2
S85	SWITCH, LOW PRESS, LOW AMBIENT COMP 3
S87	SWITCH, LOW PRESS, COMP 1
S88	SWITCH, LOW PRESS, COMP 2
S94	SWITCH, LOW PRESS, LOW AMBIENT KIT COMP 4
S95	SWITCH, FREEZE STAT COMPRESS 4
S96	SWITCH, LIMIT HI PRESS COMPRESS 4
S97	SWITCH, LOW PRESS, COMP 4
S98	SWITCH, LOW PRESS, COMP 3

J/P	JACK/PLUG DESCRIPTION
S117	SWITCH, GFI
11	GFI, RECEPTACLE
18	EXHAUST FAN COMP
24	EXHAUST FAN
69	INTERFACE
86	OUTDOOR FAN INTERFACE
87	OUTDOOR FAN INTERFACE 2
118	CONTROL FOR COMPRESSOR 3 AND 4
119	COMPRESSOR 3 AND 4, INPUT
132	EXHAUST FAN MOTOR 1
133	EXHAUST FAN MOTOR 2
134	EXHAUST FAN MOTOR 3
208	MOTOR, EXH BLO, B35
209	MOTOR, EXH BLO, B36
210	MOTOR, EXH BLO, B37
212	MOTOR, EXH BLO, B35
213	MOTOR, EXH BLO, B36
214	MOTOR, EXH BLO, B37
218	POWER EXHAUST CONTROL
246	POWER TO VFD
247	VFD TO MOTOR
248	VFD TO CONTROL
249	CONTACTOR BYPASS
259	BLOWER ECM MOTOR
263	HIGH AND LOW PRESSURE SWITCHES
264	BLOWER DECK
265	CONTACTORS AND RELAYS
267	OUTDOOR FAN AREA
268	24V POWER FROM TRANSFORMERS
348	CONTROL, GENERAL PURPOSE GP3

- NOTES**
- ⚠ S42 USED ON UNITS WITH VFD CONTROL WITH BYPASS OPTION. UNITS WITH HIGH EFFICIENCY MOTORS AND UNITS WITH MOTORS LESS INTERNAL OVERLOAD PROTECTION.
 - ⚠ USED ONLY ON 242 UNITS WITH INTERLINK COMPRESSORS.
 - ⚠ F6 AND F10 FUSES ARE USED ON "Y" VOLTAGE UNITS ONLY AND SCCR OPTION UNITS.
 - ⚠ S49, S50, S53 AND S95 ARE A PART OF 5VDC CIRCUIT.
 - ⚠ FOR P.E. INVERTER WIRING, REFER TO RRS ASSEMBLY.
 - ⚠ A30 SENSOR AND A96 INVERTER CONTROL FOR B3 SUPPLY AIR BLOWER.
 - ⚠ A34 SENSOR AND A137, A141, A142 INVERTER CONTROL FOR B35, B36, B37 EXHAUST AIR BLOWER (RRS).
 - ⚠ A30 MAY BE USED WITH OR WITHOUT A34. A34 MAY BE USED WITH OR WITHOUT A30.
 - ⚠ SHIELDED WIRE.
 - ⚠ TO TRANSFER B3 BLOWER MOTOR FROM A96 VFD TO K3 CONTACTOR, TURN OFF POWER.
 - 1. DISCONNECT WIRES MARKED K203-A AND K203-B AND CONNECT WIRE K203-A TO K3-A AND K203-B TO K3-B FROM K3 CONTACTOR.
 - 2. UNPLUG J247 FROM P247. PLUG J249 TO P247.
 - 3. UNPLUG P248, PLUG IN P248 BYPASS JUMPER IF ALARM CONTACTS C AND B ON A96 ARE OPEN.
 - ⚠ B37 BLOWER MAY NOT BE USED.
 - ⚠ F61 USED ON ALL UNITS WITH LGH UNITS SCCR OPTION.
 - ⚠ S48 IS FIELD INSTALLED ON ALL LGH UNITS WITH SCCR OPTION.

S180	SWITCH, LIMIT HI TEMP COMPRESSOR 4
T1	TRANSFORMER, CONTROL
T18	TRANSFORMER, CONTACTOR
T29	TRANSFORMER, GFI
TB13	TERMINAL STRIP, POWER DISTRIBUTION
TB18	TERMINAL STRIP, CYCLE CONTROL
TB24	TERMINAL STRIP, UNIT ADDER
TB58	TERMINAL STRIP, EXHAUST BLOWERS

——— DENOTES OPTIONAL COMPONENTS
 ——— LINE VOLTAGE FIELD INSTALLED
 - - - - CLASS II FIELD WIRING



2022/03		ENERGENCE WIRING DIAGRAM	03/22
		538272-01	
COOLING			
LCH/LGH - 242,300,360 - G,J,Y (VAV)			
SECTION B			REV 0
Supersedes		New Form No. 538272-01	