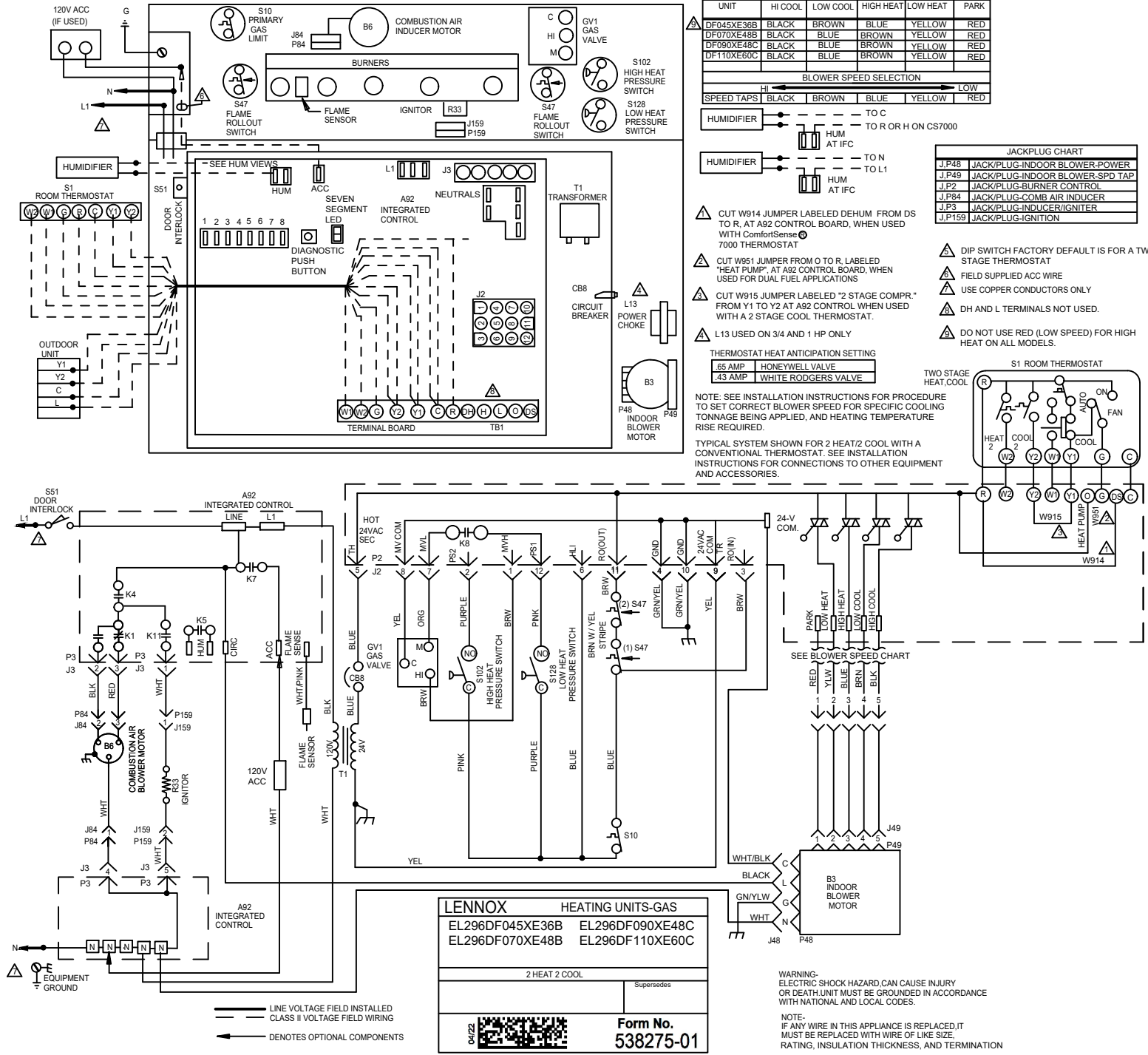
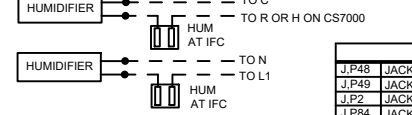


OUT SIZE: 8-7/8" WIDE X 8-5/16" HEIGHT



| UNIT | HI COOL | LOW COOL | HIGH HEAT | LOW HEAT | PARK |
|------------|---------|----------|-----------|----------|------|
| DF045XE36B | BLACK | BROWN | BLUE | YELLOW | RED |
| DF070XE48B | BLACK | BLUE | BROWN | YELLOW | RED |
| DF090XE48C | BLACK | BLUE | BROWN | YELLOW | RED |
| DF110XE60C | BLACK | BLUE | BROWN | YELLOW | RED |



JACKPLUG CHART

| | |
|--------|---------------------------------|
| J.P148 | JACK/PLUG-INDOOR BLOWER-POWER |
| J.P149 | JACK/PLUG-INDOOR BLOWER-SPD TAP |
| J.P2 | JACK/PLUG-BURNER CONTROL |
| J.P84 | JACK/PLUG-COMB AIR INDUCER |
| J.P3 | JACK/PLUG-INDUCER/IGNITER |
| J.P159 | JACK/PLUG-IGNITION |

- ⚠ CUT W914 JUMPER LABELED DEHUM FROM DS TO R, AT A92 CONTROL BOARD, WHEN USED WITH ComfortSense 7000 THERMOSTAT
- ⚠ CUT W951 JUMPER FROM O TO R, LABELED "HEAT PUMP" AT A92 CONTROL BOARD, WHEN USED FOR DUAL FUEL APPLICATIONS
- ⚠ CUT W915 JUMPER LABELED "2 STAGE COMPR." FROM Y1 TO Y2 AT A92 CONTROL WHEN USED WITH A 2 STAGE COOL THERMOSTAT.
- ⚠ L13 USED ON 3/4 AND 1 HP ONLY

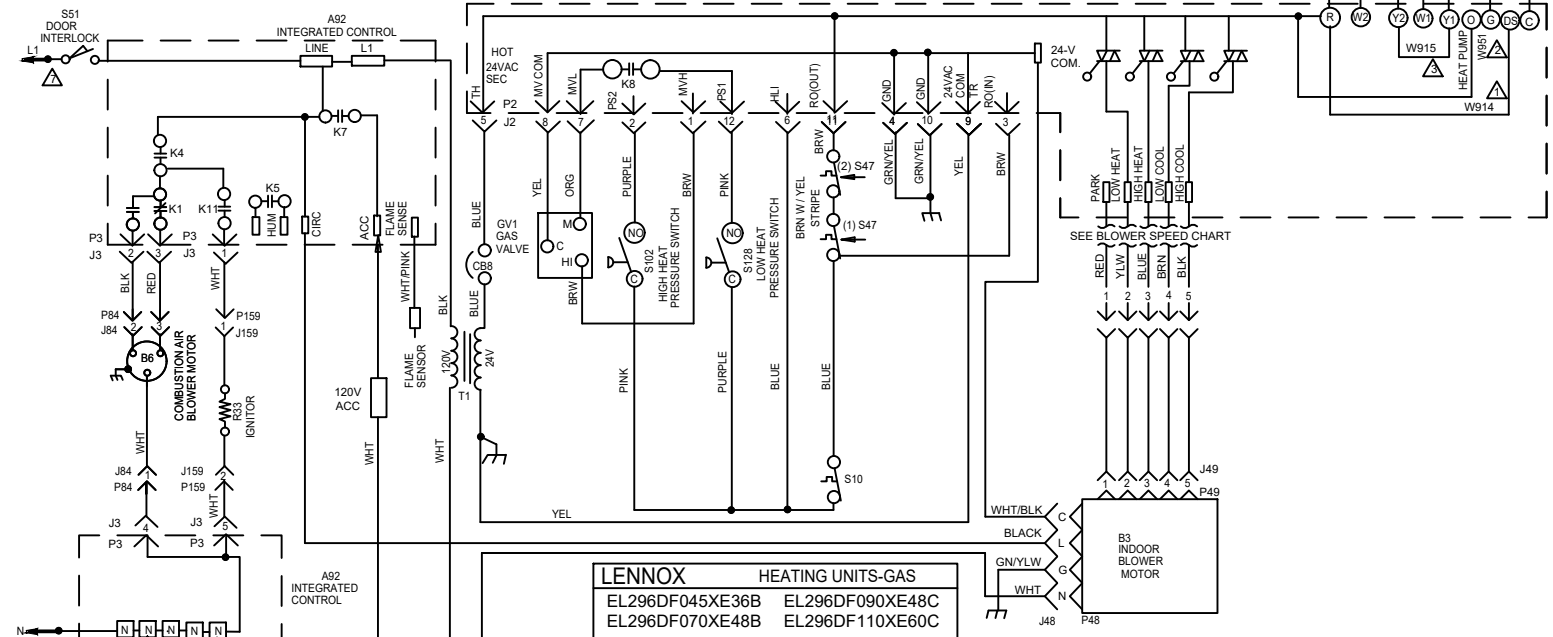
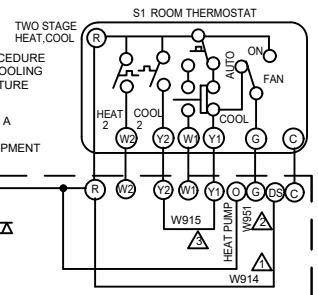
- ⚠ DIP SWITCH FACTORY DEFAULT IS FOR A TWO STAGE THERMOSTAT
- ⚠ FIELD SUPPLIED ACC WIRE
- ⚠ USE COPPER CONDUCTORS ONLY
- ⚠ DH AND L TERMINALS NOT USED.
- ⚠ DO NOT USE RED (LOW SPEED) FOR HIGH HEAT ON ALL MODELS.

THERMOSTAT HEAT ANTICIPATION SETTING

| | |
|---------|---------------------|
| .85 AMP | HONEYWELL VALVE |
| .43 AMP | WHITE RODGERS VALVE |

NOTE: SEE INSTALLATION INSTRUCTIONS FOR PROCEDURE TO SET CORRECT BLOWER SPEED FOR SPECIFIC COOLING TONNAGE BEING APPLIED, AND HEATING TEMPERATURE RISE REQUIRED.

TYPICAL SYSTEM SHOWN FOR 2 HEAT/2 COOL WITH A CONVENTIONAL THERMOSTAT. SEE INSTALLATION INSTRUCTIONS FOR CONNECTIONS TO OTHER EQUIPMENT AND ACCESSORIES.



LENNOX HEATING UNITS-GAS

| | |
|-----------------|-----------------|
| EL296DF045XE36B | EL296DF090XE48C |
| EL296DF070XE48B | EL296DF110XE60C |

2 HEAT 2 COOL

Supersedes

Form No. 538275-01

WARNING- ELECTRIC SHOCK HAZARD, CAN CAUSE INJURY OR DEATH. UNIT MUST BE GROUNDED IN ACCORDANCE WITH NATIONAL AND LOCAL CODES.

NOTE: IF ANY WIRE IN THIS APPLIANCE IS REPLACED IT MUST BE REPLACED WITH WIRE OF LIKE SIZE, RATING, INSULATION THICKNESS, AND TERMINATION