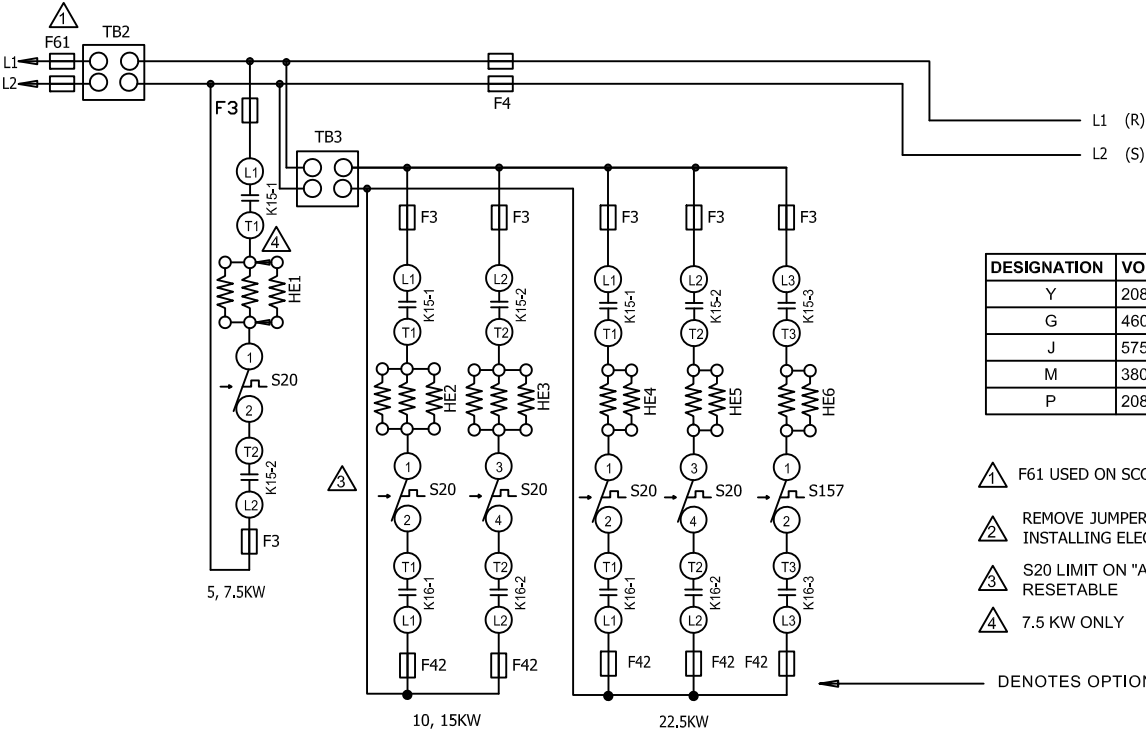
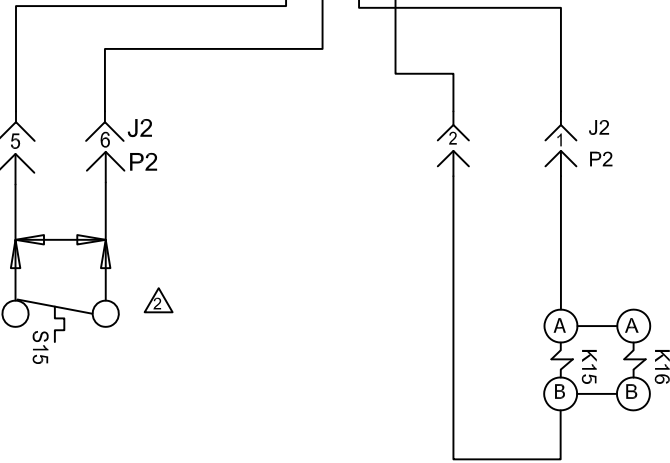


DESCRIPTION	
KEY	DESCRIPTION
A55	PANEL, MAIN
F3	FUSE, ELECTRIC HEAT
F4	FUSE, UNIT
F61	FUSE, UNIT - SCCR
HE -1	ELEMENT, ELECTRIC HEAT 1
HE -2	ELEMENT, ELECTRIC HEAT 2
HE -3	ELEMENT, ELECTRIC HEAT 3
HE -4	ELEMENT, ELECTRIC HEAT 4
HE -5	ELEMENT, ELECTRIC HEAT 5
HE -6	ELEMENT, ELECTRIC HEAT 6
J2	JACK, ELECTRIC HEAT
J265C	JACK, CONTACTOR RELAY
J266A	JACK, HEATING CONTROL STG 1
J271A,B	JACK, HEATING SENSORS STG 1
K15,-1	CONTACTOR, ELECTRIC HEAT 1
K16,-1	CONTACTOR, ELECTRIC HEAT 2
P2	PLUG, ELECTRIC HEAT
P7	PLUG, ELECTRIC HEAT SUB-BASE KIT
P265	PLUG, CONTACTOR RELAY
P266	PLUG, HEATING CONTROL
P271	PLUG, HEATING SENSORS STG 1
S15	SWITCH, LIMIT PRIMARY ELECTRIC HEAT
S20	SWITCH, LIMIT SECONDARY ELECTRIC HEAT 1
S157	SWITCH, LIMIT SECONDARY ELECTRIC HEAT 2
TB2	TERMINAL STRIP, UNIT



DESIGNATION	VOLTAGE
Y	208-230/60/3
G	460/60/3
J	575/60/3
M	380-420/50/3
P	208-230/60/1

	KW	HE1	HE2	HE3	HE4	HE5	HE6
024 - 030	5.0	5.0					
	10.0		5.0	5.0			
036 - 048	7.5	7.5					
	15		7.5	7.5			
060	22.5				7.5	7.5	7.5

2023/10	WIRING DIAGRAM	10/23
	538246-02	
HEATING		
ELECTRIC HEAT E1EH - 5, 7.5, 10, 15, 22.5 - P		
SECTION A		REV 0
Supersedes 538246-01	New Form No. 538246-02	