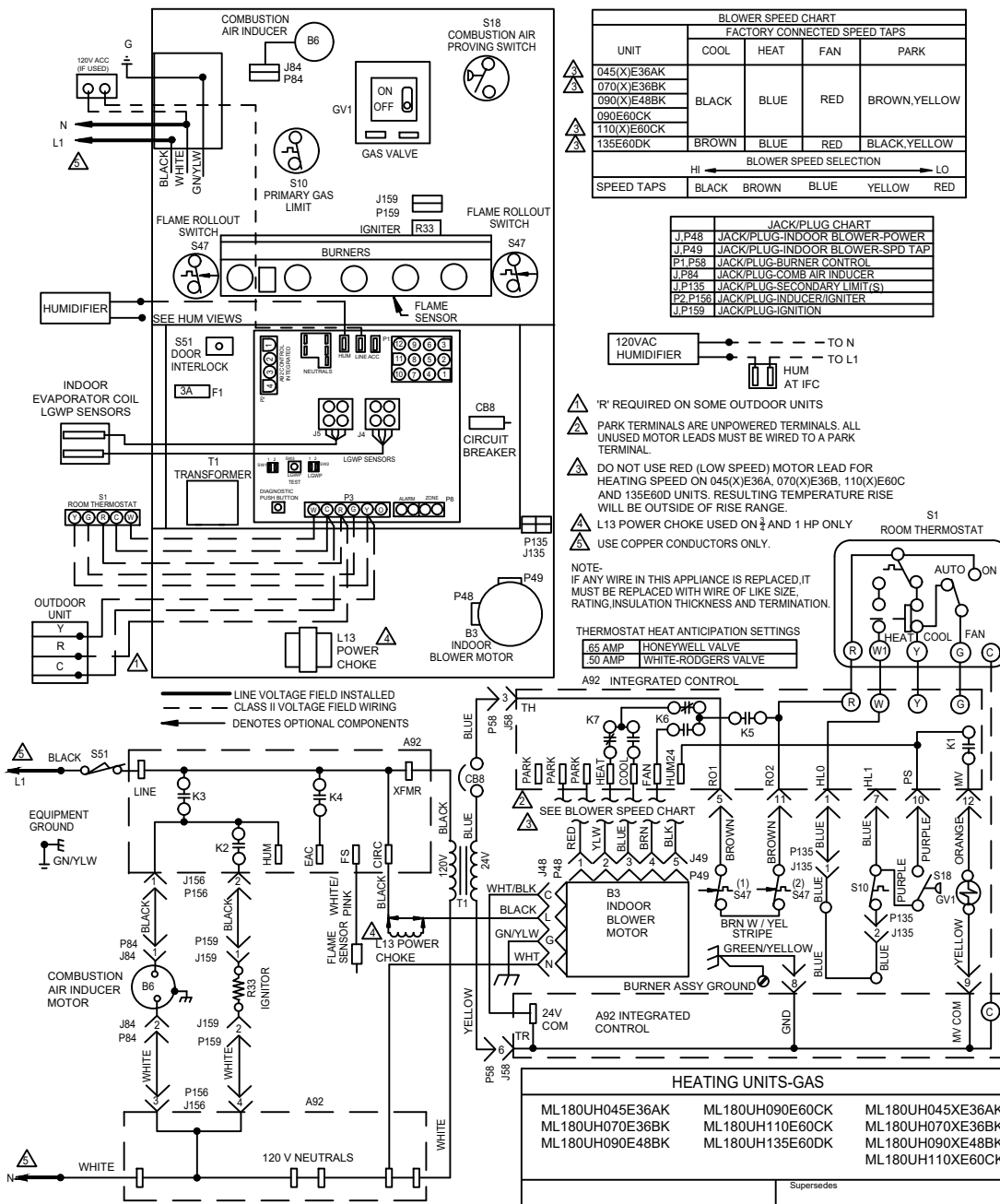


CUT SIZE: 6-1/2" WIDE x 8-1/8" Tall



BLOWER SPEED CHART				
UNIT	FACTORY CONNECTED SPEED TAPS			
	COOL	HEAT	FAN	PARK
045(X)E36AK	BLACK	BLUE	RED	BROWN, YELLOW
070(X)E36BK				
090(X)E48BK				
090E60CK				
110(X)E60CK	BROWN	BLUE	RED	BLACK, YELLOW
135E60DK				

HI ← BLOWER SPEED SELECTION → LO

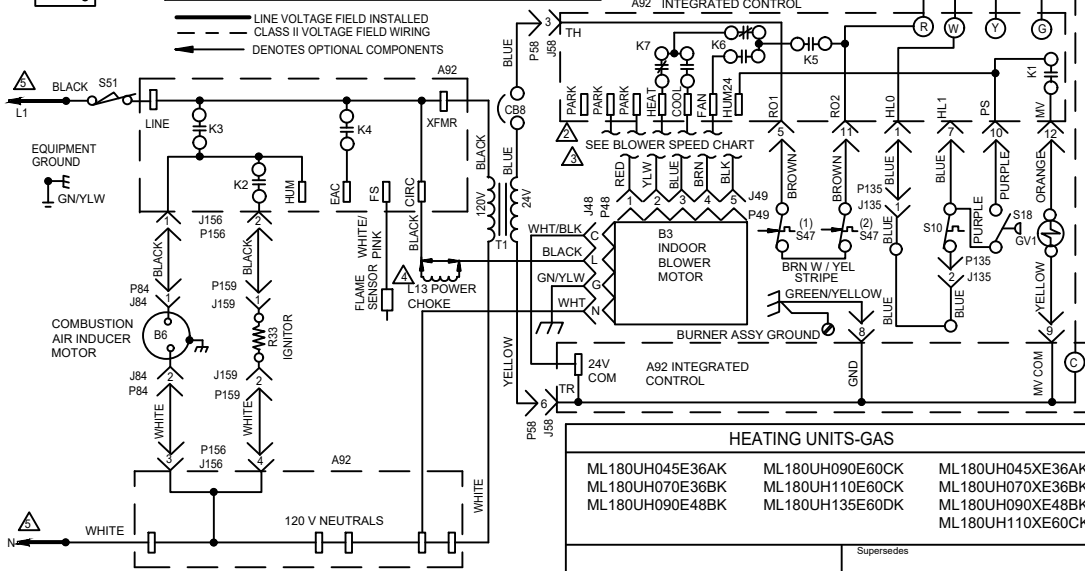
SPEED TAPS	BLACK	BROWN	BLUE	YELLOW	RED
------------	-------	-------	------	--------	-----

JACK/PLUG CHART	
J.P48	JACK/PLUG-INDOOR BLOWER-POWER
J.P49	JACK/PLUG-INDOOR BLOWER-SPD TAP
P1.P58	JACK/PLUG-BURNER CONTROL
J.P84	JACK/PLUG-COMB AIR INDUCER
J.P135	JACK/PLUG-SECONDARY LIMIT(S)
P2.P158	JACK/PLUG-INDUCER/IGNITER
J.P159	JACK/PLUG-IGNITER

- 120VAC HUMIDIFIER TO N
- HUM AT IFC
- TO L1
- ⚠ 'R' REQUIRED ON SOME OUTDOOR UNITS
- ⚠ PARK TERMINALS ARE UNPOWERED TERMINALS. ALL UNUSED MOTOR LEADS MUST BE WIRED TO A PARK TERMINAL.
- ⚠ DO NOT USE RED (LOW SPEED) MOTOR LEAD FOR HEATING SPEED ON 045(X)E36A, 070(X)E36B, 110(X)E60C AND 135E60D UNITS. RESULTING TEMPERATURE RISE WILL BE OUTSIDE OF RISE RANGE.
- ⚠ L13 POWER CHOKE USED ON 1/2 AND 1 HP ONLY
- ⚠ USE COPPER CONDUCTORS ONLY.

NOTE: IF ANY WIRE IN THIS APPLIANCE IS REPLACED, IT MUST BE REPLACED WITH WIRE OF LIKE SIZE, RATING, INSULATION THICKNESS AND TERMINATION.

THERMOSTAT HEAT ANTICIPATION SETTINGS	
.65 AMP	HONEYWELL VALVE
.50 AMP	WHITE-RODGERS VALVE



WARNING- ELECTRIC SHOCK HAZARD. CAN CAUSE INJURY OR DEATH. UNIT MUST BE GROUNDED IN ACCORDANCE WITH NATIONAL AND LOCAL CODES.

HEATING UNITS-GAS		
ML180UH045E36AK	ML180UH090E60CK	ML180UH045E36AK
ML180UH070E36BK	ML180UH110E60CK	ML180UH070E36BK
ML180UH090E48BK	ML180UH135E60DK	ML180UH090E48BK
		ML180UH110XE60CK

Supersedes



Form No. 538478-01