

506634-02  
6/2024  
Supersedes 4/2024

## GRAVITY EXHAUST DAMPERS

### INSTALLATION INSTRUCTIONS FOR C1DAMP50C GRAVITY EXHAUST DAMPERS (76W17; 606218-01) USED WITH LG/LC/LH/LD/SG/SC240-360 ROOFTOP UNITS

#### Shipping and Packing List

Package 1 of 1 contains:

- 1- Assembled gravity exhaust damper
- 1- Hood assembly containing:
  - 2-Hood sides
  - 1-Hood top
- Bag assembly containing:
  - 13-#10 Hex screws
  - 8-#10 Self drilling screws
- Insulating foam tape

#### Application

Gravity exhaust dampers allow exhaust air to be discharged from the system when an economizer and/or power exhaust is operating. Gravity exhaust dampers also prevent outdoor air infiltration during unit off cycle.

Dampers are used in downflow air discharge applications.

Gravity exhaust dampers must be used any time a power exhaust damper is installed. A gravity exhaust damper is required in the system when an economizer is installed unless other provisions are made to exhaust indoor air.

#### **!WARNING**

**Improper installation, adjustment, alteration, service or maintenance can cause property damage, personal injury or loss of life. Installation and service must be performed by a licensed professional HVAC installer or equivalent, service agency, or the gas supplier**

#### Installation - Downflow Applications

- 1 - Disconnect power to unit at unit disconnect. Remove lower rear unit panel.
- 2 - Apply foam insulating tape around the back of the flanged edges of the gravity exhaust assembly.
- 3 - Align holes along the flanged edge of the exhaust damper with holes along the bottom of the unit. See FIGURE 1.

**NOTE** - *When gravity exhaust is being used with power exhaust fans, gravity exhaust damper is installed over the outer side of the power exhaust fan assembly.*

- 4 - Use two of the screws provided in kit to secure top of the gravity exhaust assembly to unit. Secure screws on the third and fifth holes from left to right.

#### **!CAUTION**

**As with any mechanical equipment, contact with sharp sheet metal edges can result in personal injury. Take care while handling this equipment and wear gloves and protective clothing.**

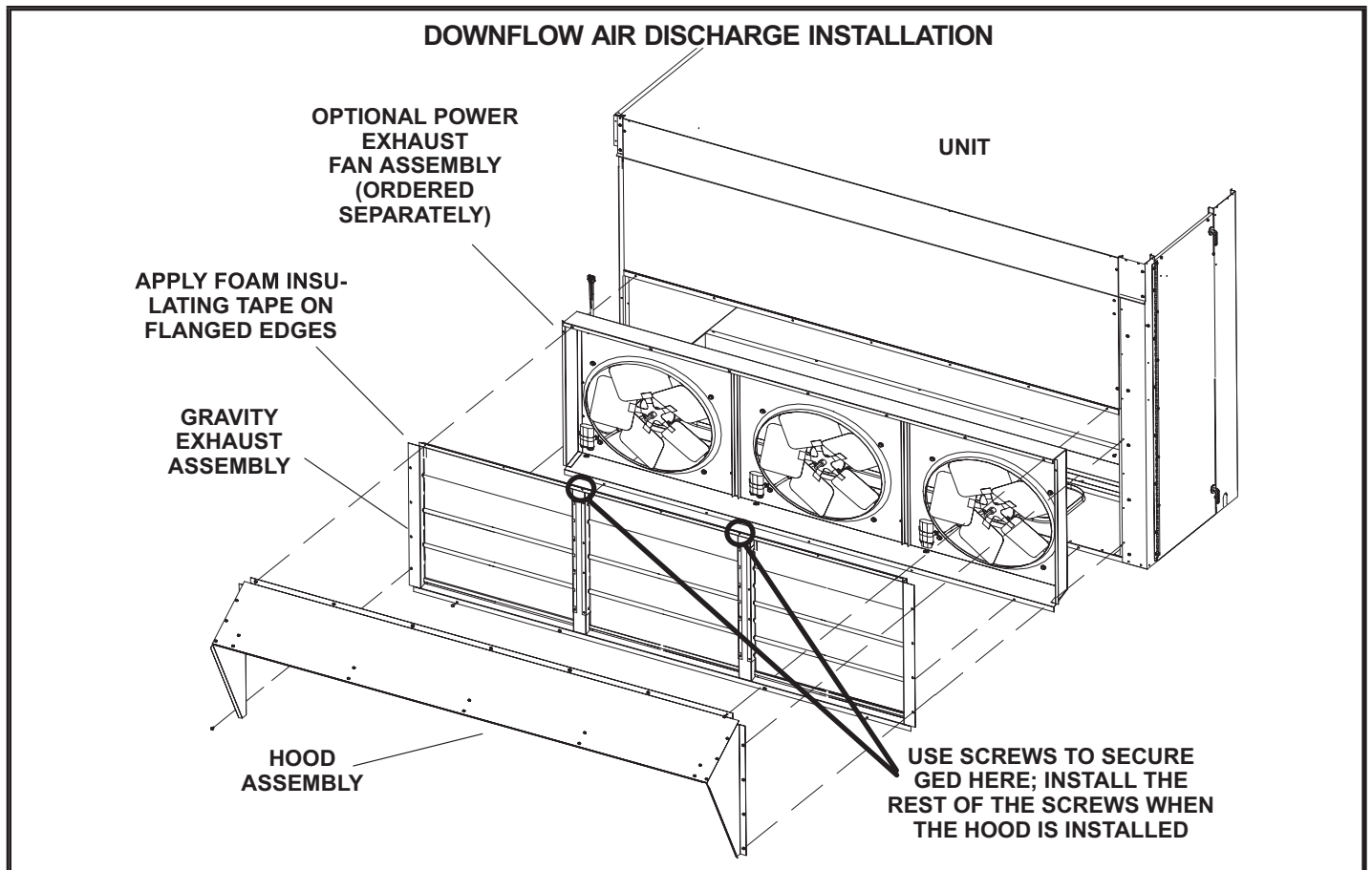


FIGURE 1

### Installation - Exhaust Hood Assembly

**NOTE** - When GED is factory-installed, hood assembly is located on the blower deck behind the blower assembly as shown in FIGURE 2.

#### Factory-Installed GEDs

- 1 - Remove and retain screws securing GED top and sides to the unit EXCEPT FOR THE TWO SHOWN IN FIGURE 1.
- 2 - Secure hood sides to the GED with retained screws. See FIGURE 3.

#### Field-Installed GEDs

- 3 - Secure hood sides to the GED with #10 self-drilling screws provided.

#### All GEDs

- 4 - Align top edges of hood and damper assembly and secure using retained screws or the #10 Hex screws provided with kit.
- 5 - Secure hood sides to hood top using screws provided.
- 6 - Reapply power to unit.

## HOOD ASSEMBLY LOCATION WHEN GED IS FACTORY-INSTALLED

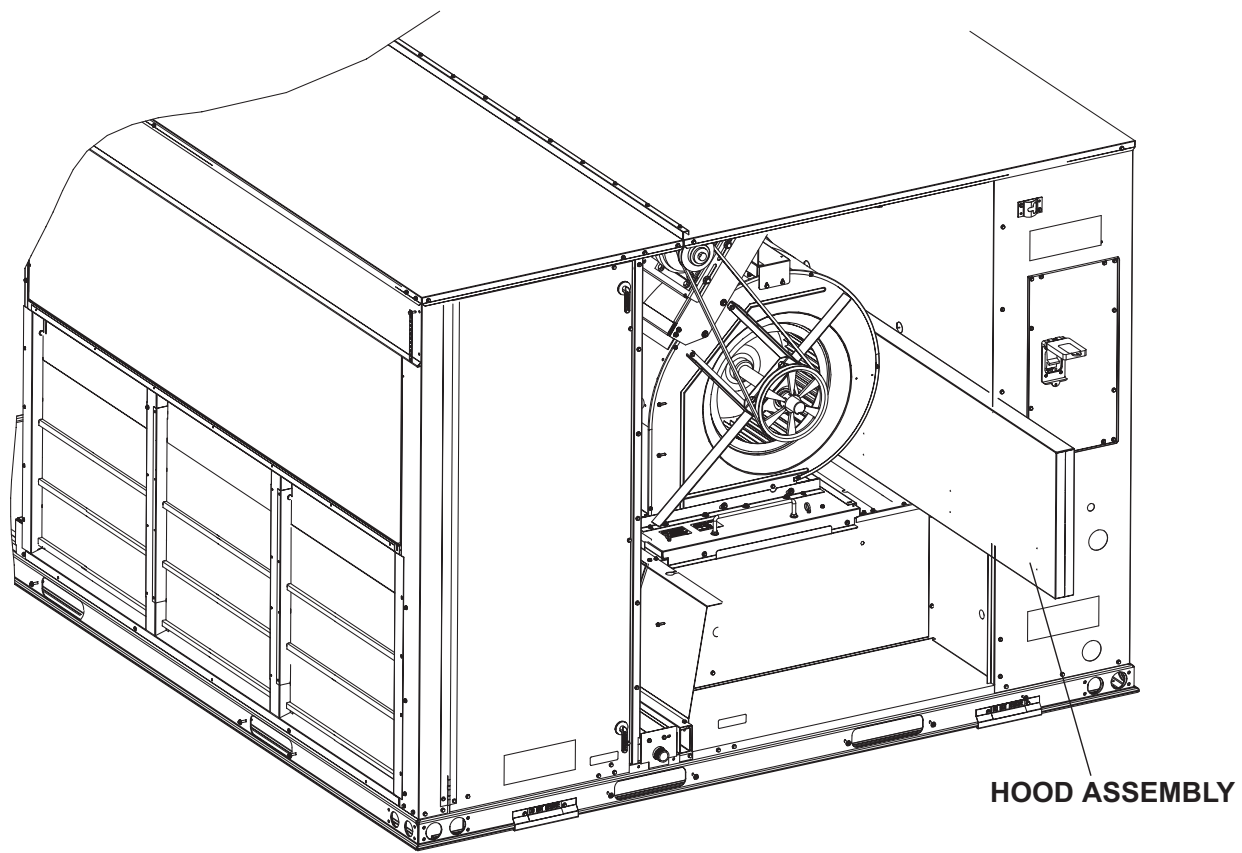


FIGURE 2

## HOOD INSTALLATION

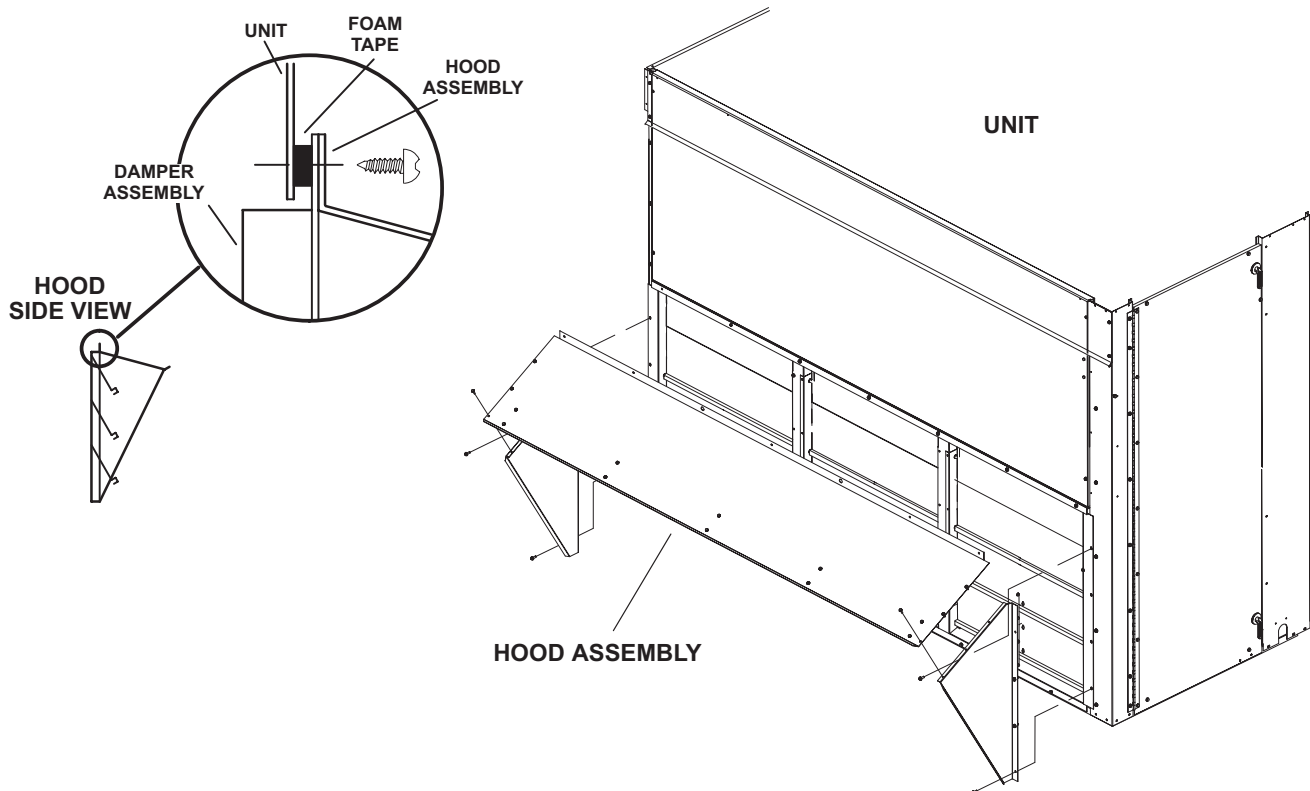


FIGURE 3