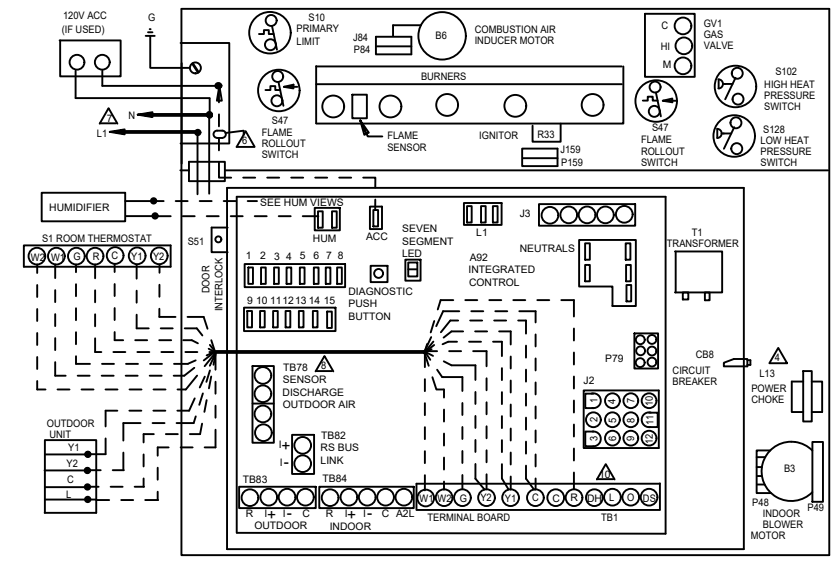
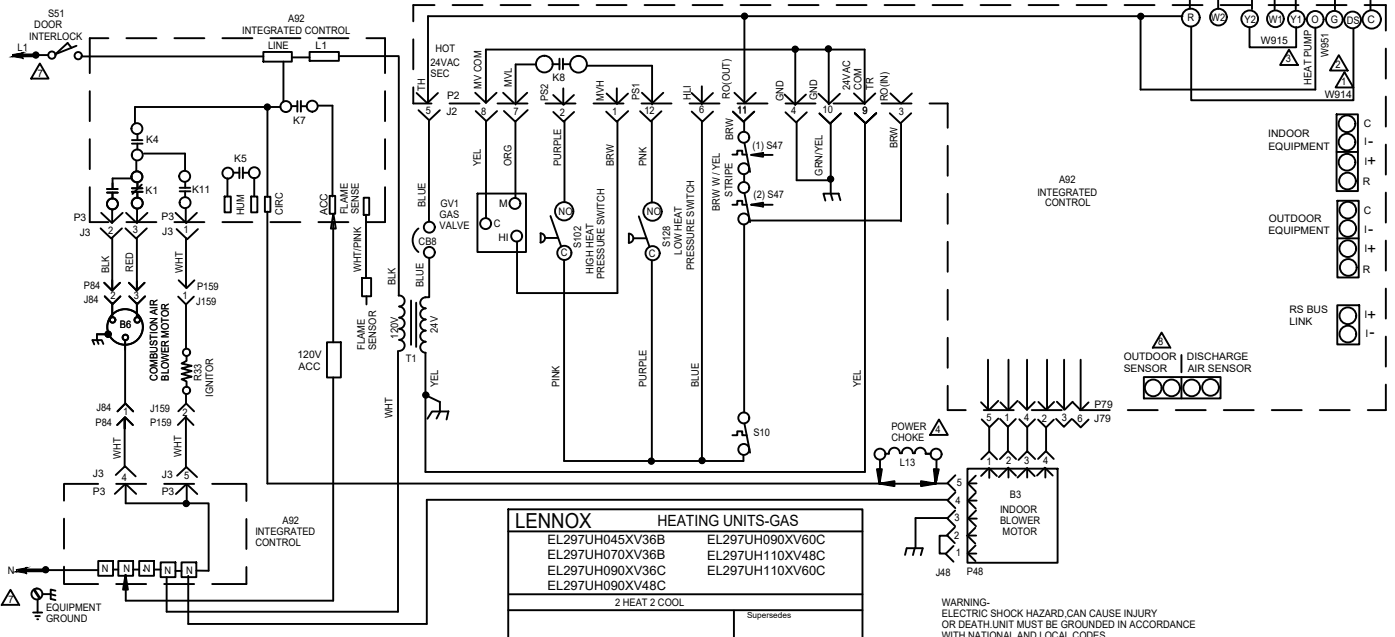
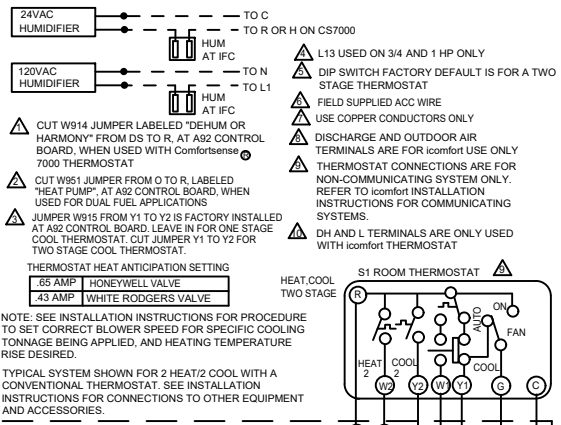


8-1/8" WIDE x 7-5/8" TALL



UNIT	BLOWER SPEED CHART			SECONDARY LIMITS USED
	HEAT	COOL	ADJUST	
045XV36B	FACTORY	HIGH	FACTORY	0
070XV36B	FACTORY	HIGH	FACTORY	0
090XV36C	FACTORY	HIGH	FACTORY	0
090XV48C	FACTORY	HIGH	FACTORY	0
090XV60C	FACTORY	HIGH	FACTORY	0
110XV48C	FACTORY	HIGH	FACTORY	0
110XV60C	FACTORY	HIGH	FACTORY	0

Program unit capacity/size			
Character on 7- segment LED (w dot ON)	Furnace Model	Circulator Motor Size	
0	045XV36B	1/2 HP	
1	070XV36B	1/2 HP	
2	090XV36C	1/2 HP	
3	090XV48C	3/4 HP	
4	090XV60C	1 HP	
5	110XV48C	3/4 HP	
6	110XV60C	1 HP	



LENNOX HEATING UNITS-GAS

EL297UH045XV36B	EL297UH090XV60C
EL297UH070XV36B	EL297UH110XV48C
EL297UH090XV36C	EL297UH110XV60C
EL297UH090XV48C	

2 HEAT 2 COOL

Supersedes

Form No. 538327-01

WARNING-
ELECTRIC SHOCK HAZARD CAN CAUSE INJURY OR DEATH. UNIT MUST BE GROUNDED IN ACCORDANCE WITH NATIONAL AND LOCAL CODES.

NOTE-
IF ANY WIRE IN THIS APPLIANCE IS REPLACED IT MUST BE REPLACED WITH WIRE OF LIKE SIZE, RATING, INSULATION THICKNESS, AND TERMINATION