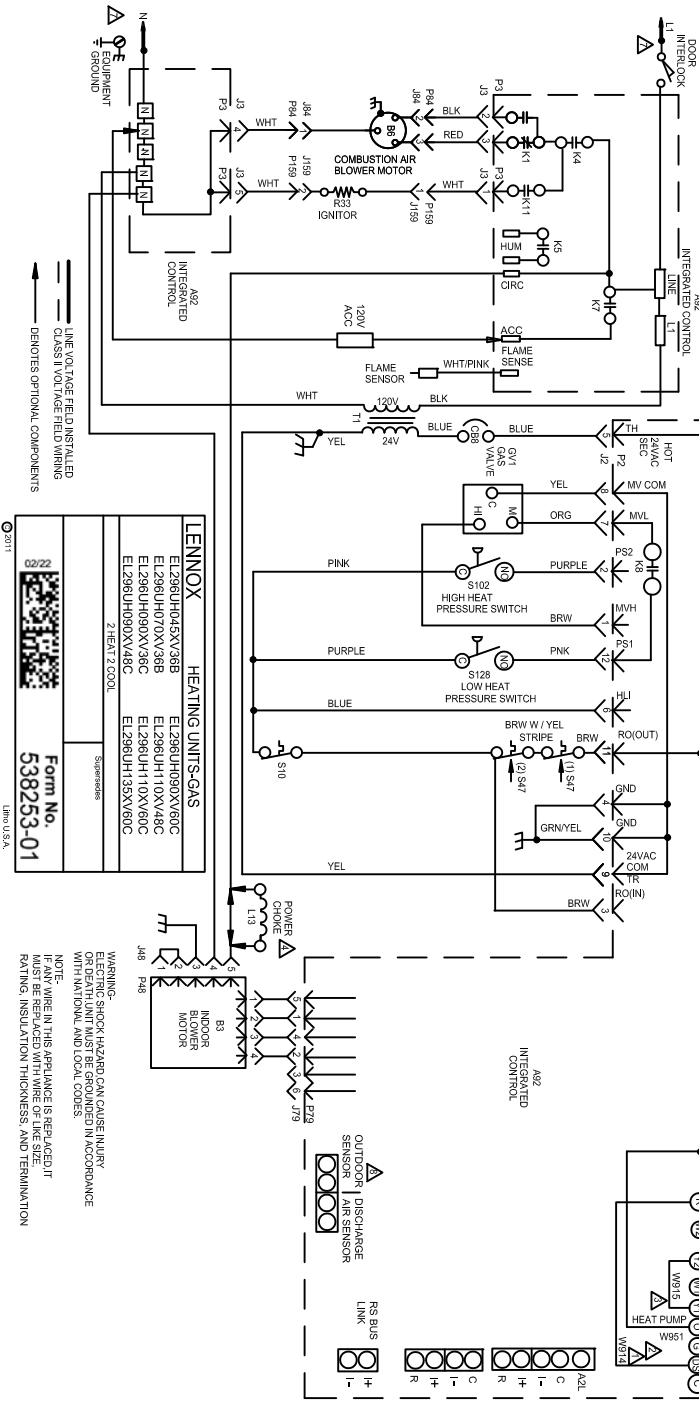


UNIT	FACTORY SHIPPED SETTINGS	SECONDARY
HEAT	LOCAL ADJUST	USED
070XV26B	0	0
070XV26B	FACTORY	FACTORY
070XV26C	HIGH	DEFAULT
070XV26C	DEFAULT	0
110XV48C		
110XV48C		
158XV50C		

Character of 7	Furnace Model (see Unit)	Chiller Motor Size
0	046XV36B	1/2 HP
1	070XV26B	1/2 HP
2	090XV26C	1/2 HP
3	090XV26C	1/2 HP
4	090XV60C	1 HP
5	110XV48C	3/4 HP
6	110XV48C	1 HP
7	158XV50C	1 HP

- 120VAC HUI/IFC TO R OR U ON C3700
- 120VAC HUI/IFC TO N
- 120VAC HUI/IFC TO L1
- 120VAC HUI/IFC TO L2
- 120VAC HUI/IFC TO L3
- 120VAC HUI/IFC TO L4
- 120VAC HUI/IFC TO L5
- 120VAC HUI/IFC TO L6
- 120VAC HUI/IFC TO L7
- 120VAC HUI/IFC TO L8
- 120VAC HUI/IFC TO L9
- 120VAC HUI/IFC TO L10
- 120VAC HUI/IFC TO L11
- 120VAC HUI/IFC TO L12
- 120VAC HUI/IFC TO L13
- 120VAC HUI/IFC TO L14
- 120VAC HUI/IFC TO L15
- 120VAC HUI/IFC TO L16
- 120VAC HUI/IFC TO L17
- 120VAC HUI/IFC TO L18
- 120VAC HUI/IFC TO L19
- 120VAC HUI/IFC TO L20
- 120VAC HUI/IFC TO L21
- 120VAC HUI/IFC TO L22
- 120VAC HUI/IFC TO L23
- 120VAC HUI/IFC TO L24
- 120VAC HUI/IFC TO L25
- 120VAC HUI/IFC TO L26
- 120VAC HUI/IFC TO L27
- 120VAC HUI/IFC TO L28
- 120VAC HUI/IFC TO L29
- 120VAC HUI/IFC TO L30
- 120VAC HUI/IFC TO L31
- 120VAC HUI/IFC TO L32
- 120VAC HUI/IFC TO L33
- 120VAC HUI/IFC TO L34
- 120VAC HUI/IFC TO L35
- 120VAC HUI/IFC TO L36
- 120VAC HUI/IFC TO L37
- 120VAC HUI/IFC TO L38
- 120VAC HUI/IFC TO L39
- 120VAC HUI/IFC TO L40
- 120VAC HUI/IFC TO L41
- 120VAC HUI/IFC TO L42
- 120VAC HUI/IFC TO L43
- 120VAC HUI/IFC TO L44
- 120VAC HUI/IFC TO L45
- 120VAC HUI/IFC TO L46
- 120VAC HUI/IFC TO L47
- 120VAC HUI/IFC TO L48
- 120VAC HUI/IFC TO L49
- 120VAC HUI/IFC TO L50
- 120VAC HUI/IFC TO L51
- 120VAC HUI/IFC TO L52
- 120VAC HUI/IFC TO L53
- 120VAC HUI/IFC TO L54
- 120VAC HUI/IFC TO L55
- 120VAC HUI/IFC TO L56
- 120VAC HUI/IFC TO L57
- 120VAC HUI/IFC TO L58
- 120VAC HUI/IFC TO L59
- 120VAC HUI/IFC TO L60
- 120VAC HUI/IFC TO L61
- 120VAC HUI/IFC TO L62
- 120VAC HUI/IFC TO L63
- 120VAC HUI/IFC TO L64
- 120VAC HUI/IFC TO L65
- 120VAC HUI/IFC TO L66
- 120VAC HUI/IFC TO L67
- 120VAC HUI/IFC TO L68
- 120VAC HUI/IFC TO L69
- 120VAC HUI/IFC TO L70
- 120VAC HUI/IFC TO L71
- 120VAC HUI/IFC TO L72
- 120VAC HUI/IFC TO L73
- 120VAC HUI/IFC TO L74
- 120VAC HUI/IFC TO L75
- 120VAC HUI/IFC TO L76
- 120VAC HUI/IFC TO L77
- 120VAC HUI/IFC TO L78
- 120VAC HUI/IFC TO L79
- 120VAC HUI/IFC TO L80
- 120VAC HUI/IFC TO L81
- 120VAC HUI/IFC TO L82
- 120VAC HUI/IFC TO L83
- 120VAC HUI/IFC TO L84
- 120VAC HUI/IFC TO L85
- 120VAC HUI/IFC TO L86
- 120VAC HUI/IFC TO L87
- 120VAC HUI/IFC TO L88
- 120VAC HUI/IFC TO L89
- 120VAC HUI/IFC TO L90
- 120VAC HUI/IFC TO L91
- 120VAC HUI/IFC TO L92
- 120VAC HUI/IFC TO L93
- 120VAC HUI/IFC TO L94
- 120VAC HUI/IFC TO L95
- 120VAC HUI/IFC TO L96
- 120VAC HUI/IFC TO L97
- 120VAC HUI/IFC TO L98
- 120VAC HUI/IFC TO L99
- 120VAC HUI/IFC TO L100



LENNOX HEATING UNITS-GAS	
EL296UH045XV36B	EL2296UH090XV60C
EL296UH070XV36B	EL2296UH110XV48C
EL296UH090XV36C	EL2296UH110XV60C
EL296UH090XV48C	EL2296UH135XV60C
215W1 Z-COOL	

LENNOX HEATING UNITS-GAS	
EL296UH045XV36B	EL2296UH090XV60C
EL296UH070XV36B	EL2296UH110XV48C
EL296UH090XV36C	EL2296UH110XV60C
EL296UH090XV48C	EL2296UH135XV60C
215W1 Z-COOL	

WARNING: SHOCK HAZARD CAN CAUSE INJURY OR DEATH. UNIT MUST BE GROUNDED IN ACCORDANCE WITH NATIONAL AND LOCAL CODES. NOTE: WIRE IN THIS APPLIANCE IS RATED TO BE REPLACED WITH WIRE OF LINE SIZE, RATING, INSULATION THICKNESS, AND TERMINATION PER UL 68.

Form No. 538253-01  
 © 2011  
 Lennox U.S.A.