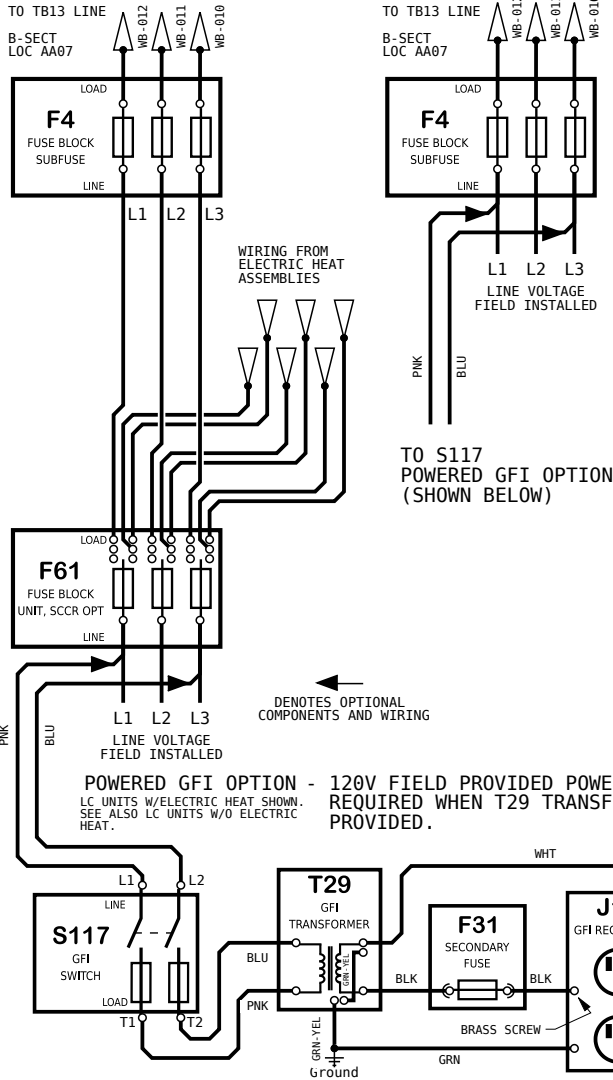


-----POWER ENTRY OPTIONS-----

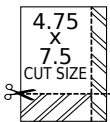
UNITS W/ELECTRIC HEAT

UNITS W/O ELECTRIC HEAT



POWERED GFI OPTION - 120V FIELD PROVIDED POWER SUPPLY IS REQUIRED WHEN T29 TRANSFORMER IS NOT PROVIDED.
 LC UNITS W/ELECTRIC HEAT SHOWN. SEE ALSO LC UNITS W/O ELECTRIC HEAT.

Model: LC, LH Series RTU with SCCR
 Power Entry Options, 156 - 300
 Voltage: All Voltages
 Supersedes: N/A Form No: 538105-01 Rev: 1

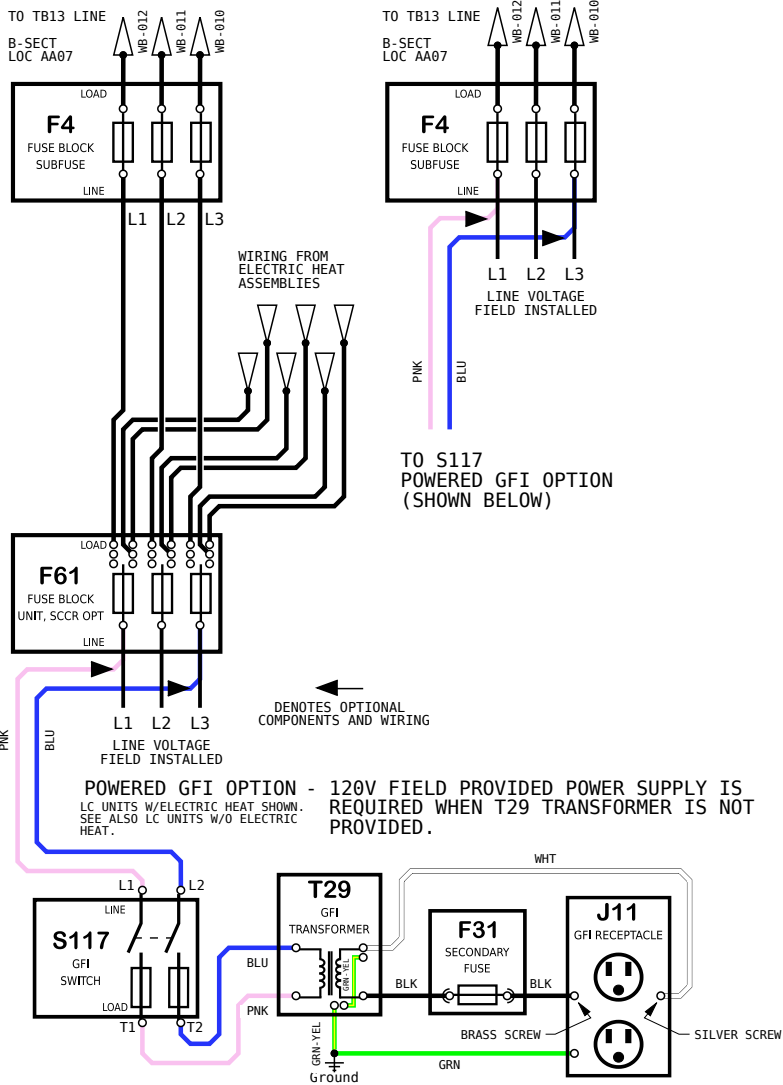


REV	EC NO.	DATE	BY	APVD	REVISION NOTE
---	CN-008993P	01-26-2021	MXR6	JAL21	ORIGINATED AT PD&R CARROLLTON, TX
001	CN-010356B	03/24/2022	MXR6	JAL21	UPDATED APPLICABLE MODEL NUMBERS.

-----POWER ENTRY OPTIONS-----

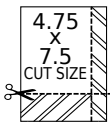
UNITS W/ELECTRIC HEAT

UNITS W/O ELECTRIC HEAT



POWERED GFI OPTION - 120V FIELD PROVIDED POWER SUPPLY IS REQUIRED WHEN T29 TRANSFORMER IS NOT PROVIDED.
 LC UNITS W/ELECTRIC HEAT SHOWN. SEE ALSO LC UNITS W/O ELECTRIC HEAT.

Model: LC, LH Series RTU with SCCR
 Power Entry Options, 156 - 300
 Voltage: All Voltages
 Supersedes: N/A Form No: 538105-01 Rev: 1



REV	EC NO.	DATE	BY	APVD	REVISION NOTE
---	CN-008993P	01-26-2021	MXR6	JAL21	ORIGINATED AT PD&R CARROLLTON, TX
001	CN-010356B	03/24/2022	MXR6	JAL21	UPDATED APPLICABLE MODEL NUMBERS.