



SUBMITTAL DATA – OUTDOOR
UNIT MPC024S4M-1P
MULTI-ZONE MINI-SPLIT HEAT PUMP

Job: _____
Location: _____
Schedule No.: _____
System Designation: _____

Engineer: _____
Architect: _____
Date: _____
For: Reference Approval Review Construction

FEATURES

Outdoor Unit: MPC024S4M-1P

Indoor Unit Options: Ducted OR Non-Ducted



- Defrost Control
- DC Inverter Control
- Base Pan Heater
- Crankcase Heater



Piping

Line Set and Elevation Guidelines	
Maximum Number of Indoor Units/Zones	3
Liquid Line Set Diameter (in.)	(3) 1/4
Gas Line Set Diameter (in.)	(3) 3/8
Maximum Pipe Length ft. (m)	197 ft. (60 m)
Maximum Line Set Length - Furthest Indoor Unit	98 ft. (30 m)
Maximum Elevation - Outdoor Unit Below/Above Indoor Unit ft. (m)	49 ft. (15m)
Pre-Charged (ft.)	74 ft.
Additional Charge of Refrigerant (oz/ft.)	0.16

PRODUCT WARRANTY

Compressor – Twelve year limited warranty*
 All other covered components - Twelve year limited warranty*
 *Product registration required

OPTIONAL ACCESSORIES

Non-Programmable Controller (M0STAT61Q-1)
 Programmable Controller (M0STAT64Q-2)
 Hail Guards Set (M9GARD22Q-1)



NOTE – Due to Lennox' ongoing commitment to quality, Specifications, Ratings, and Dimensions are subject to change without notice and without incurring liability. Improper installation, adjustment, alteration, service or maintenance can cause property damage or personal injury. Installation and service must be performed by a qualified installer and servicing agency.



SUBMITTAL DATA – OUTDOOR UNIT MPC024S4M-1P MULTI-ZONE MINI-SPLIT HEAT PUMP

OUTDOOR SPECIFICATIONS

PERFORMANCE		
Cooling Capacity (Btu/h) ¹	Ducted	24,000
	Non-Ducted	24,000
EER2	Ducted	11.7
	Non-Ducted	13.4
SEER2	Ducted	16.0
	Non-Ducted	24.6
Heating Capacity (Btu/h) ¹	Ducted	24,000
	Non-Ducted	25,000
HSPF2	Ducted	8.6
	Non-Ducted	10.0
Outdoor Fan Total Air Volume (CFM)		2130
Ambient Temperature Operating Range		
Cooling		-13 - 122°F
Heating		-13 - 86°F

GENERAL DATA	
Connection Ratio (%)	66% to 133%
Max. # of Indoor Units	Up to 3 units
Sound Data (dBA) - Cooling/Heating	61/61
Refrigerant type	R-410A
Factory refrigerant charge	5 lbs. 11 oz.

DIMENSIONS		
Unit Dimensions (in)	Height	26-1/2
	Width	39
	Depth	13-3/4
Shipping Weight (lb)		151
Net Weight (lb)		140

NOTES

- Cooling and Heating Capacity data is rated at the following conditions:
Cooling: 80°FDB / 67°FWB Indoor, 95°FDB Outdoor
Heating: 70°FDB Indoor, 47°FDB / 43°FWB Outdoor

ELECTRICAL DATA	
Power Supply (V/Hz/Φ)	208-230/60/1
Minimum Circuit Ampacity (A)	24.5
Maximum Overcurrent Protection (A)	30.0
Outdoor Fan Motor RLA (A)	0.90
Compressor RLA (A)	20
No. of Compressors	1

Multi-Zone System Combinations

NOTE - For multi-zone systems, the total capacity of all indoor units must be 66% to 133% of the outdoor unit capacity.

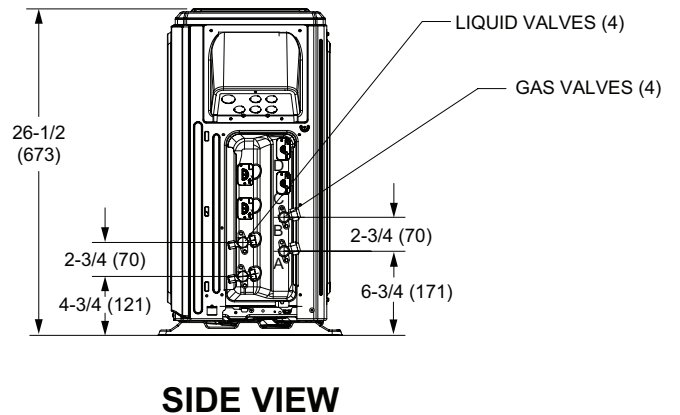
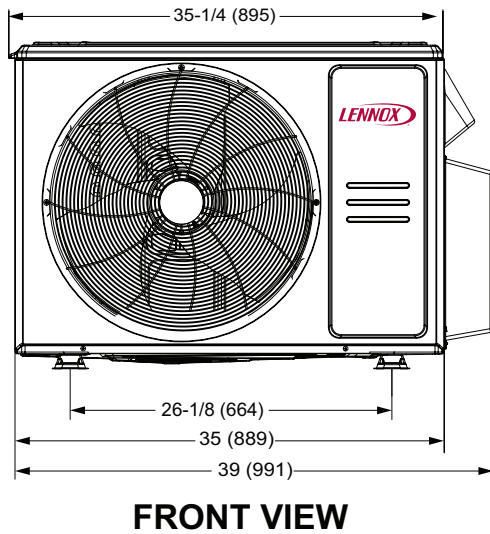
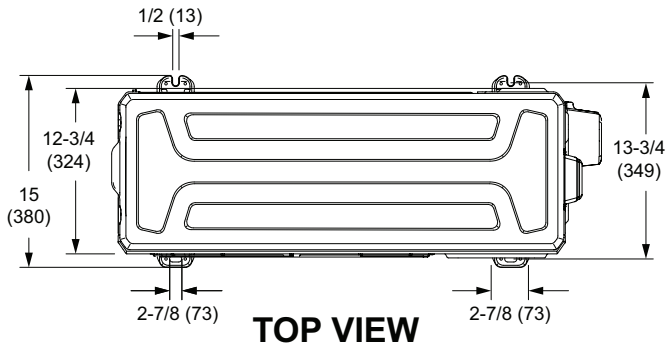
MPC024S4M	1	18K					24K					12K					18K					9K																																																																																																																																																																																																																																																																																																																																																																	
		18K	6K	6K	6K	6K	24K	6K	6K	6K	6K	12K	6K	6K	6K	6K	18K	6K	6K	6K	6K	9K	6K	6K	6K	6K																																																																																																																																																																																																																																																																																																																																																													
	1	18K	--	---	---	---	16,000	--	---	---	---	17,000	--	---	---	---	12K	6K	--	---	---	12,000	6,000	--	---	---	12,900	6,500	--	---	---	18K	6K	--	---	---	17,000	5,000	--	---	---	18,900	6,300	--	---	---	9K	9K	--	---	---	9,000	9,000	--	---	---	9,700	9,700	--	---	---	12K	9K	--	---	---	11,000	8,000	--	---	---	12,900	9,700	--	---	---	18K	9K	--	---	---	16,000	8,000	--	---	---	18,300	9,200	--	---	---	12K	12K	--	---	---	11,000	11,000	--	---	---	12,600	12,600	--	---	---	18K	12K	--	---	---	15,000	10,000	--	---	---	17,400	11,600	--	---	---	18K	18K	--	---	---	14,000	14,000	--	---	---	14,800	14,800	--	---	---	2	6K	6K	6K	--	---	7,000	7,000	7,000	--	---	---	8,500	8,500	8,500	--	---	---	9K	6K	6K	--	---	10,000	7,000	7,000	--	---	---	11,500	7,700	7,700	--	---	---	12K	6K	6K	--	---	13,000	6,000	6,000	--	---	---	13,900	7,000	7,000	--	---	---	18K	6K	6K	--	---	17,000	6,000	6,000	--	---	---	17,500	5,900	5,900	--	---	---	9K	9K	6K	--	---	9,000	9,000	6,000	--	---	---	9,500	9,500	6,000	--	---	---	12K	9K	6K	--	---	12,000	9,000	6,000	--	---	---	12,700	9,500	6,400	--	---	---	18K	9K	6K	--	---	16,000	8,000	5,000	--	---	---	16,100	8,100	5,400	--	---	---	12K	12K	6K	--	---	11,000	11,000	6,000	--	---	---	11,700	11,700	5,900	--	---	---	18K	12K	6K	--	---	15,000	10,000	5,000	--	---	---	15,000	10,000	5,000	--	---	---	9K	9K	9K	--	---	9,000	9,000	9,000	--	---	---	9,500	9,500	9,500	--	---	---	12K	9K	9K	--	---	11,000	9,000	9,000	--	---	---	11,700	8,800	8,800	--	---	---	18K	9K	9K	--	---	15,000	7,000	7,000	--	---	---	15,000	7,500	7,500	--	---	---	12K	12K	9K	--	---	11,000	11,000	8,000	--	---	---	10,800	10,800	8,100	--	---	---	12K	12K	12K	--	---	10,000	10,000	10,000	--	---	---	10,000	10,000	10,000	--	---	---
		2	6K	6K	6K	--	---	7,000	7,000	7,000	--	---	---	8,500	8,500	8,500	--	---	---	9K	6K	6K	--	---	10,000	7,000	7,000	--	---	---	11,500	7,700	7,700	--	---	---	12K	6K	6K	--	---	13,000	6,000	6,000	--	---	---	13,900	7,000	7,000	--	---	---	18K	6K	6K	--	---	17,000	6,000	6,000	--	---	---	17,500	5,900	5,900	--	---	---	9K	9K	6K	--	---	9,000	9,000	6,000	--	---	---	9,500	9,500	6,000	--	---	---	12K	9K	6K	--	---	12,000	9,000	6,000	--	---	---	12,700	9,500	6,400	--	---	---	18K	9K	6K	--	---	16,000	8,000	5,000	--	---	---	16,100	8,100	5,400	--	---	---	12K	12K	6K	--	---	11,000	11,000	6,000	--	---	---	11,700	11,700	5,900	--		---	---	18K	12K	6K	--	---	15,000	10,000	5,000	--	---	---	15,000	10,000	5,000	--	---	---	9K	9K	9K	--	---	9,000	9,000	9,000	--	---	---	9,500	9,500	9,500	--	---	---	12K	9K	9K	--	---	11,000	9,000	9,000	--	---	---	11,700	8,800	8,800	--	---	---	18K	9K	9K	--	---	15,000	7,000	7,000	--	---	---	15,000	7,500	7,500	--	---	---	12K	12K	9K	--	---	11,000	11,000	8,000	--	---	---	10,800	10,800	8,100	--	---	---	12K	12K	12K	--	---	10,000	10,000	10,000	--	---	---	10,000	10,000	10,000	--	---	---																																																																																																																																						

NOTE – Due to Lennox' ongoing commitment to quality, Specifications, Ratings, and Dimensions are subject to change without notice and without incurring liability. Improper installation, adjustment, alteration, service or maintenance can cause property damage or personal injury. Installation and service must be performed by a qualified installer and servicing agency.
495934 (202306) ©2023 Lennox Industries, Inc.



SUBMITTAL DATA – OUTDOOR
UNIT MPC024S4M-1P
MULTI-ZONE MINI-SPLIT HEAT PUMP

OUTDOOR DIMENSIONAL DRAWINGS - INCHES (MM)



NOTE – Due to Lennox' ongoing commitment to quality, Specifications, Ratings, and Dimensions are subject to change without notice and without incurring liability. Improper installation, adjustment, alteration, service or maintenance can cause property damage or personal injury. Installation and service must be performed by a qualified installer and servicing agency.