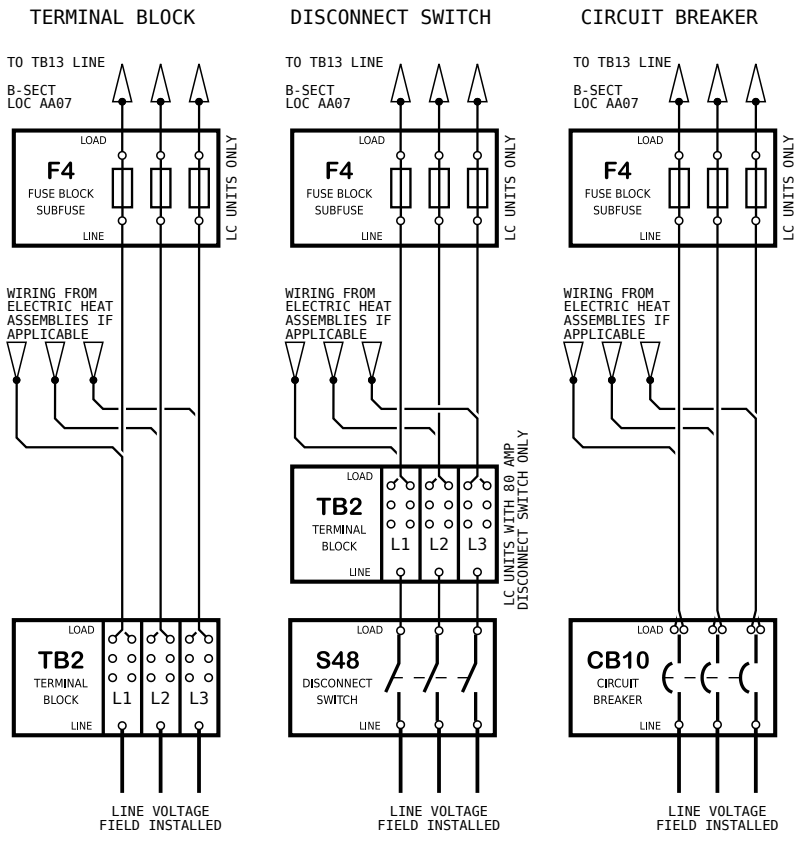
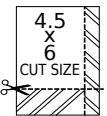


-----POWER ENTRY OPTIONS-----



Model: LCM, LGM Series RTU
 Power Entry Options, 092 - 150
 Voltage: All Voltages
 Supersedes: XXXXXX-XX Form No: 538157-01



REV	EC NO.	DATE	BY	APVD	REVISION NOTE
---	CN-008824L	01-15-2021	RXJ	JDH	ORIGINATED AT PD&R CARROLLTON, TX